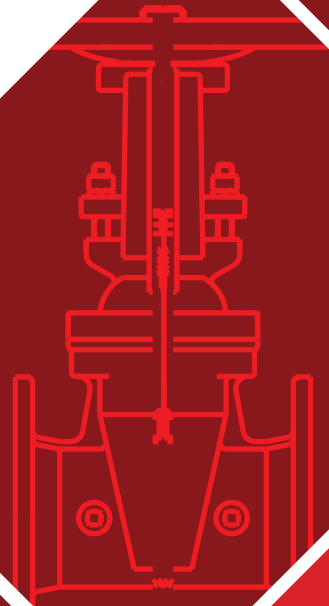
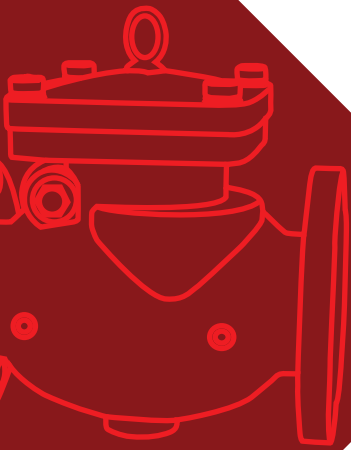




fivalco®

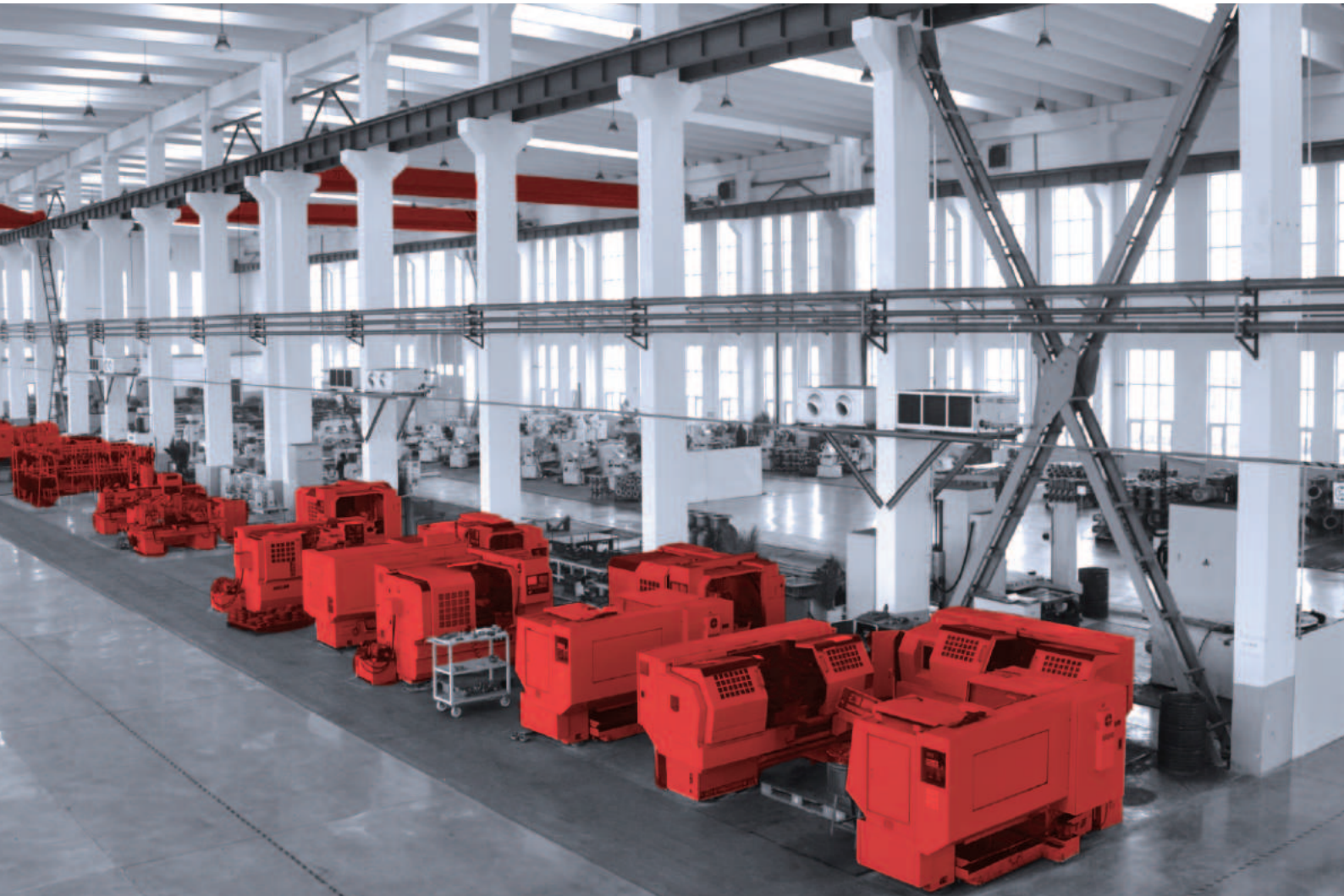


2026

PRODUCT CATALOGUE

FIRE PROTECTION

A truly world class manufacturer serving Global Markets



A True Manufacturer

Fivalco is an inventor and leading manufacturer of superior flow control products. Our products are designed-tested and certified by the leading testing agencies, including the Underwriters Laboratories (UL), Factory Mutual (FM), Water Regulations Approval Scheme (WRAS), National Sanitation Foundation (NSF) and etc, based on a wide range of global standards.

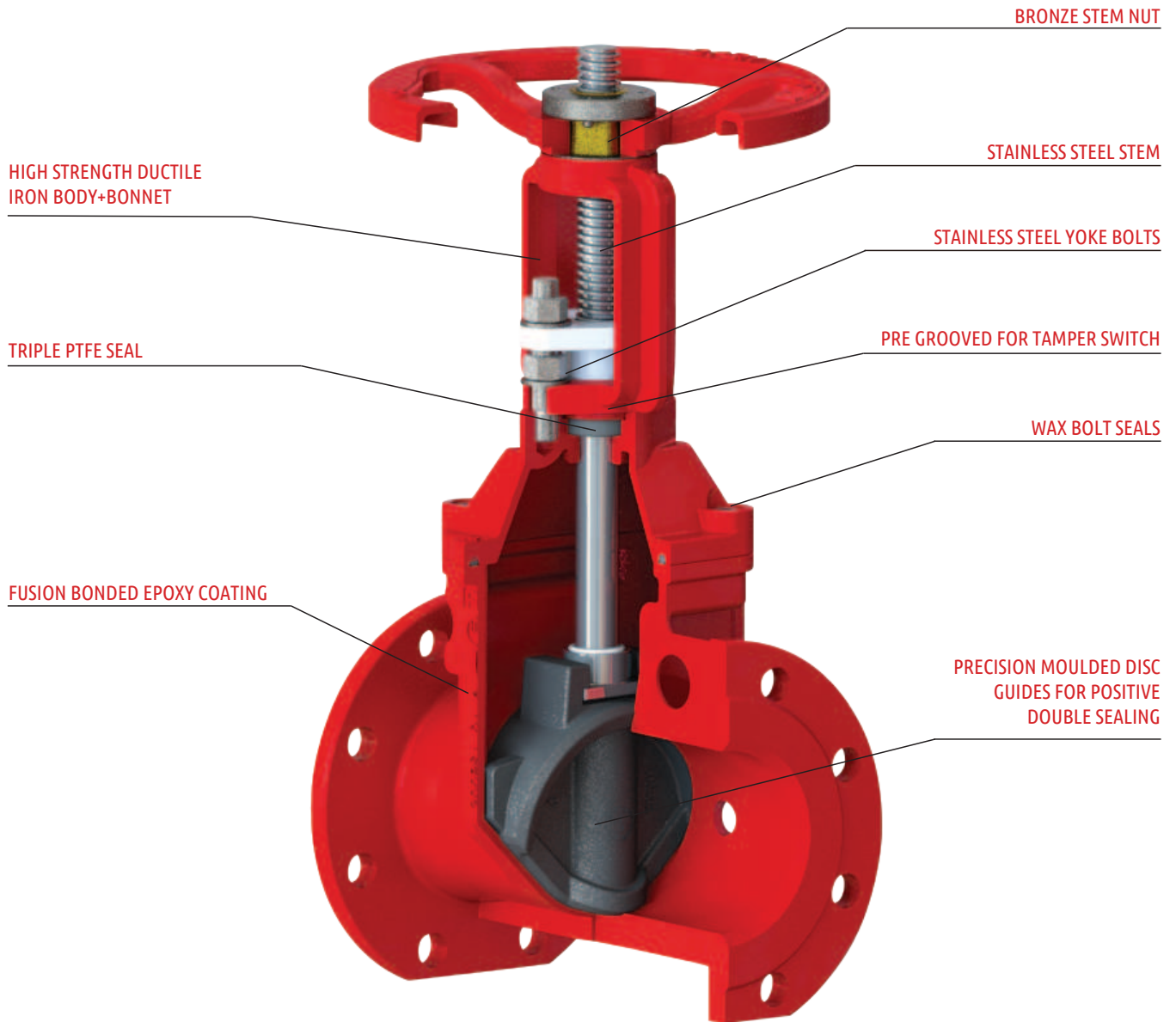
Founded in 1985 by Sir Michael J.Graham in California, USA, we have dedicated ourselves to the production of critical flow control products, serving the critical Fire Protection, Heating, Ventilation & Air Conditioning (HVAC), General Process Industries, Water Supply & Water Treatment markets worldwide.

We operate from our main facilities utilising the latest manufacturing technologies and equipment available to produce world class flow control products. We strive to continue to provide the highest quality products to discerning customers at all times.

FIVALCO HIGHRISER OS&Y GATE VALVE

365PSI / 25BARS

UL LISTED FM APPROVED



FIVALCO® - BETTER BY DESIGN

GENERAL INFORMATION

We are now in our 40th year of manufacturing Fire Protection Valves of uncompromising quality for our discerning customers.

All our products are FM or UL approved and most carry both UL and FM listings / approvals.

The latest edition of the NFPA code stated "products shall be listed or approved," without reference to either UL or FM although it is common practice for consultants to specify both a Underwriter Laboratories listed and a Factory Mutual approval.

UL listed means that the product has been tested, has passed all the stringent tests mandated by Underwriter Laboratories and is listed in the UL catalogue of Fire Protection Equipment.

FM approved means that the product has passed all severe tests mandated by Factory Mutual and is approved by FM for use in building structures insured by Factory Mutual Insurance.

We, and all other manufacturers of similar products are subject to identical factory and product audit approvals and tests without compromise as the same approval and test criteria are applied to all procedures of such products regardless of location any where in the world.

All valves are pressure tested for approval at 4 times the working pressure depending on valve size, and all valves must pass a cycling test of 1000 open/shut operations without failure of any part or component.

We take great care to make our products both attractive and functional and it is essential that our customers and end users do the same in order to maintain product integrity and proper function.

We draw your attention to minimum practices for handling and installation of our valves, at the end of this catalogue.

We are not content with making valves purely to meet mandatory specifications and have added quality and other features to stand out above the crowd.

All gate valves have stainless steel stems for better corrosion resistance - our competitors use common brass.

All gate valves are painted true fire engine red, no on site painting needed.

All materials for our valves are equal to, or superior to, our competitors.

" The quality goes in before our name goes on"

All written material in this catalogue is copyrighted and may not be produced in part or in whole without express written permission. Violators will be prosecuted.

Fivalco is registered trademark. Use of the trademarks without written permission is illegal and all violators will be prosecuted to the full extent of the law.

Design, materials, & specifications are subject to change without notice for continuous product improvement & development.

FIVALCO® - BETTER BY DESIGN

List

GATE VALVES

3299-365-FLA	OS&Y Gate Valve Flanged Ends	1
3299-365-FG	OS&Y Gate Valve Flanged-Grooved Ends	2
3299-365-GG	OS&Y Gate Valve Grooved Ends	3
3299-365-MJ	OS&Y Gate Valve Mechanical Joint Ends	4
3299-365-FM	OS&Y Gate Valve Flanged-Mechanical Joint Ends	5
3288-365-FLA	NRS Gate Valve Flanged Ends	6
3288-365-FG	NRS Gate Valve Flanged-Grooved Ends	7
3288-365-GG	NRS Gate Valve Grooved Ends	8
3288-365-MJ	NRS Gate Valve Mechanical Joint Ends	9
3288-365-FM	NRS Gate Valve Flanged-Mechanical Joint Ends	10
3299-L-200/250-FLA	OS&Y Large Gate Valve Flanged Ends	11
3288-L-200/250-FLA	NRS Large Gate Valve Flanged Ends	12
IPO365	Vertical Type Indicator Post	13
IPO1888	Vertical Type Large Indicator Post	14
WPO365	Wall Type Indicator Post	15

CHECK VALVES

5201-365-FLA	Swing Check Valve Flanged Ends	16
5201-365-GG	Swing Check Valve Grooved Ends	17
5201-365-GGR	Swing Check Valve Grooved Ends Riser	18
5301-300-W	Double Door Check Valve Wafer Type	19

BUTTERFLY VALVES

FPBG-300W	Butterfly Valve Wafer Type	20
FPBG-300G	Butterfly Valve Grooved Ends	21
FPBG-300L	Butterfly Valve Lug Type	22
BBG-300	Bronze Butterfly Valve Grooved Ends	23
BBT-300	Bronze Butterfly Valve Threaded Ends	24

BS VALVES

1352	BS Butterfly Valve Grooved Ends	25
1353	BS Butterfly Valve Wafer Type	26

Y-STRAINERS

YS-300-FF	Y-Strainer Flanged Ends	27
YS-300-FG	Y-Strainer Flanged-Grooved Ends	28
YS-300-GG	Y-Strainer Grooved Ends	29

AIR VENT VALVE

9702	Automatic Air Vent Valve Threaded Ends	30
------	--	----

FIRE HYDRANT

FV-DBH	Dry Barrel Fire Hydrant	31
FV-WBH	Wet Barrel Fire Hydrant	32

BRASS VALVES

FBFCS	Brass Fire Department Connections	34
FBHV	Brass Fire Hose Valve	35
FBPR / FBPRB	Brass Pressure Reducing Device	36
FBBV	Brass Ball Valve	37
FTDV	Brass Test and Drain Valve	38

BRONZE VALVES

BGV	Bronze Gate Valve	39
-----	-------------------	----

FLEXIBLE SPRINKLER CONNECTOR

QF-600	Flexible Sprinkler Connector	40
QF-1000 / QF-1000E	Flexible Sprinkler Connector	41

WATER FLOW INDICATOR & SUPERVISORY SWITCH

WFD-V	Vane Type Water Flow Detector with Retard	43
WFD-T	T-Tap Type Water Flow Detector with Retard	45
SPCV-1	Post Indicator Control Valve Supervisory Switch	46
SNRS-1	Non Rising Stem Valve Supervisory Switch	47
SOSY-1	Outside Screw & Yoke Valve Supervisory Switch	48

*Approved and listed valve products
by FM (Factory Mutual) and
UL (Underwriters Laboratories)*



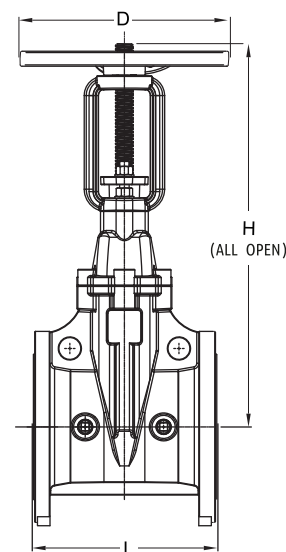
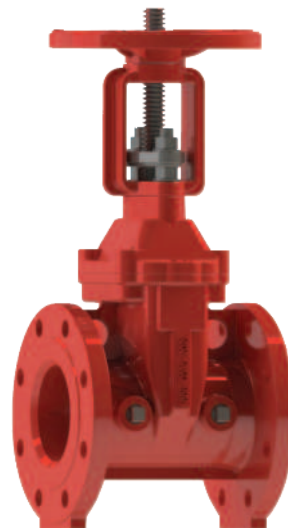
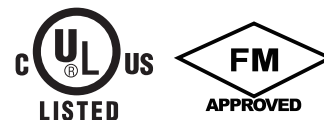
HIGH RISER GATE VALVE RESILIENT SEATED OS&Y TYPE FLANGED ENDS

365PSI

Fig No.: 3299-365-FLA

FEATURES & SPECIFICATIONS

- Rising stem, Outside Screw & Yoke (OS&Y)
- Stainless steel stem
- Valve conforms to AWWA C515 / BS5163
- Fusion bonded epoxy coated interior and exterior RAL3002
- Flange drilled to ANSI B16.1 Class 125 / ANSI B16.5 Class 150 / EN1092-2 PN16 / BS10 Table D / Table E
- Working pressure : 365psi
- Working temperature : -10°C ... 120°C



MATERIALS LIST

Name	Material
Body	Ductile Iron ASTM A536 65-45-12
Wedge	Ductile Iron ASTM A536 65-45-12 + EPDM
Wedge Nut	Bronze ASTM B62
Stem	Stainless Steel AISI 304
Bonnet	Ductile Iron ASTM A536 65-45-12
Gasket	EPDM
Packing	Graphite
Stem Nut	Bronze ASTM B62
Handwheel	Ductile Iron ASTM A536 65-45-12

DIMENSIONS (inch/mm)

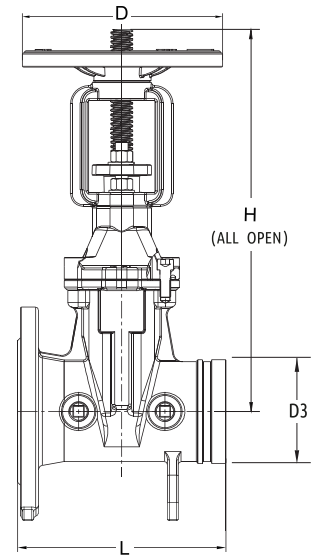
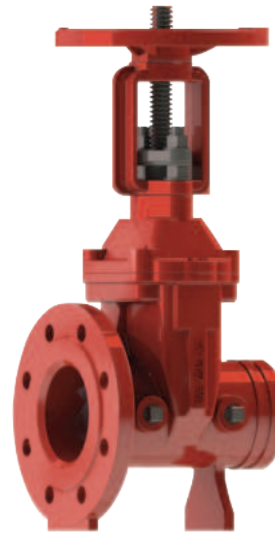
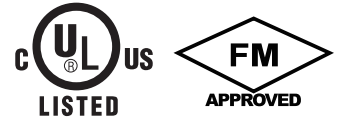
Size	2"/50	2.5"/65	3"/80	4"/100	5"/125	6"/150	8"/200	10"/250	12"/300
L	7.01/178	7.50/191	8.00/203	9.00/229	10.00/254	10.50/267	11.50/292	13.00/330	14.00/356
H	16.1 /409	16.1 /409	18.2 /463	20.55 /522	28.15 /715	28.15 /715	35.94 /913	44.01 /1118	51.18/1300
D	6.3 /160	6.3 /160	8.66 /220	8.66 /220	11.02 /280	12.05/306	14.56 /370	16.53 /420	17.52/445

NET WEIGHT (kg) & CRATE QTY (pcs)

Size	2"/50	2.5"/65	3"/80	4"/100	5"/125	6"/150	8"/200	10"/250	12"/300
N.W.	17.64	18.91	22.13	27.16	40.30	46.90	72.00	111.00	167.00
Crate Qty	25	25	16	16	9	9	6	4	2

FEATURES & SPECIFICATIONS

- Rising stem, Outside Screw & Yoke (OS&Y)
- Stainless steel stem
- Valve conforms to AWWA C515 / BS5163
- Fusion bonded epoxy coated interior and exterior RAL3002
- Flange drilled to ANSI B16.1 Class 125 / ANSI B16.5 Class 150 / EN1092-2 PN16 / BS10 Table D / Table E
- Grooved ends to suit ANSI / AWWA and BS Pipe size
- Working pressure : 365psi
- Working temperature : -10°C ... 120°C



MATERIALS LIST

Name	Material
Body	Ductile Iron ASTM A536 65-45-12
Wedge	Ductile Iron ASTM A536 65-45-12 + EPDM
Wedge Nut	Bronze ASTM B62
Stem	Stainless Steel AISI 304
Bonnet	Ductile Iron ASTM A536 65-45-12
Gasket	EPDM
Packing	Graphite
Stem Nut	Bronze ASTM B62
Handwheel	Ductile Iron ASTM A536 65-45-12

DIMENSIONS (inch/mm)

Size	2"/50	2.5"/65	3"/80	4"/100	5"/125	6"/150	8"/200	10"/250	12"/300			
L	7.00/178	7.50/191	8.00/203	9.00/229	10.00/254	10.50/267	11.50/292	13.00/330	14.00/356			
H	16.1/409	16.1/409	18.19/462	20.55/522	28.15/715	28.15/715	35.94/913	44.01/1118	51.18/1300			
D	6.3/160	6.3/160	8.66/220	8.66/220	11.02/280	11.02/280	14.56/370	16.53/420	16.53/420			
D3	2.37/60.3	2.87/73	2.99/76.1	2.37/88.9	4.5/114.3	5.56/141.3	5.5/139.7	6.63/168.3	6.5/165.1	8.63/219.1	10.75/273	12.75/323.9

NET WEIGHT (kg) & CRATE QTY (pcs)

Size	2"/50	2.5"/65	3"/80	4"/100	5"/125	6"/150	8"/200	10"/250	12"/300
N.W.	17.64	18.91	22.13	27.16	40.30	46.90	72.00	111.00	167.00
Crate Qty	25	25	16	16	9	9	6	4	2

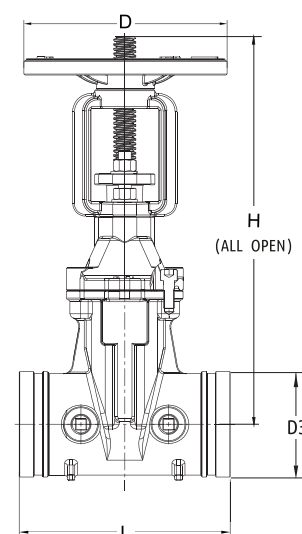
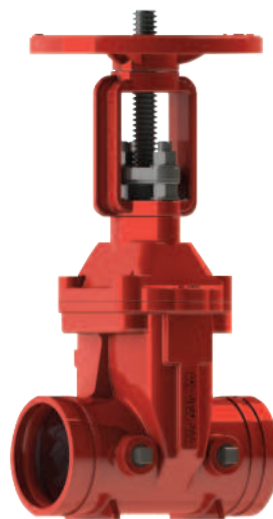
HIGH RISER GATE VALVE RESILIENT SEATED OS&Y TYPE GROOVED-GROOVED ENDS

365PSI

Fig No.: 3299-365-GG

FEATURES & SPECIFICATIONS

- Rising stem, Outside Screw & Yoke (OS&Y)
- Stainless steel stem
- Valve conforms to AWWA C515 / BS5163
- Fusion bonded epoxy coated interior and exterior RAL3002
- Grooved ends to suit ANSI / AWWA and BS Pipe size
- Working pressure : 365psi
- Working temperature : -10°C ... 120°C



MATERIALS LIST

Name	Material
Body	Ductile Iron ASTM A536 65-45-12
Wedge	Ductile Iron ASTM A536 65-45-12 + EPDM
Wedge Nut	Bronze ASTM B62
Stem	Stainless Steel AISI 304
Bonnet	Ductile Iron ASTM A536 65-45-12
Gasket	EPDM
Packing	Graphite
Stem Nut	Bronze ASTM B62
Handwheel	Ductile Iron ASTM A536 65-45-12

DIMENSIONS (inch/mm)

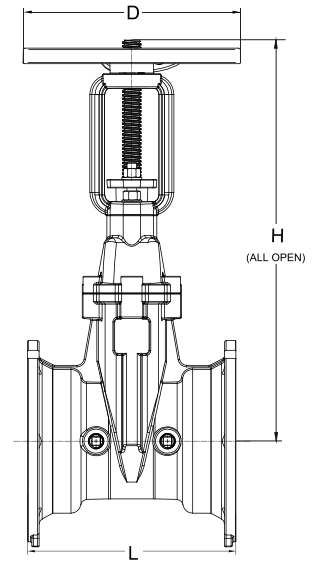
Size	2"/50	2.5"/65	3"/80	4"/100	5"/125	6"/150	8"/200	10"/250	12"/300			
L	7.00/178	7.50/191	8.00/203	9.00/229	10.00/254	10.50/267	11.50/292	13.00/330	14.00/356			
H	16.1 / 409	16.1 / 409	18.22 / 463	20.55/522	28.15 / 715	28.15 / 715	35.94 / 913	44.01 / 1118	51.18/1300			
D	6.3 / 160	6.3 / 160	8.66 / 220	8.66 / 220	11.02 / 280	11.02 / 280	14.56 / 370	16.53 / 420	16.53 / 420			
D3	2.37/60.3	2.87/73	2.99/76.1	2.37/88.9	4.5/114.3	5.56/141.3	5.5/139.7	6.63/168.3	6.5/165.1	8.63/219.1	10.75/273	12.75/323.9

NET WEIGHT (kg) & CRATE QTY (pcs)

Size	2"/50	2.5"/65	3"/80	4"/100	5"/125	6"/150	8"/200	10"/250	12"/300
N.W.	17.64	18.91	22.13	27.16	40.30	46.90	72.00	111.00	167.00
Crate Qty	25	25	16	16	9	9	6	4	2

FEATURES & SPECIFICATIONS

- Rising stem, Outside Screw & Yoke (OS&Y)
- Stainless steel stem
- Valve conforms to AWWA C515 / BS5163
- Fusion bonded epoxy coated interior and exterior RAL3002
- Mechanical joint ends to AWWA C153 / A21.11
- Working pressure : 365psi
- Working temperature : -10°C ... 120°C



MATERIALS LIST

Name	Material
Body	Ductile Iron ASTM A536 65-45-12
Wedge	Ductile Iron ASTM A536 65-45-12 + EPDM
Wedge Nut	Stainless Steel AISI 304
Stem	Stainless Steel AISI 304/420
Bonnet	Ductile Iron ASTM A536 65-45-12
Gasket	EPDM
Packing	Graphite
Stem Nut	Bronze ASTM B62
Handwheel	Ductile Iron ASTM A536 65-45-12

DIMENSIONS (inch/mm)

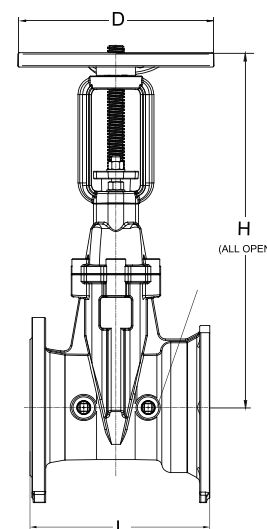
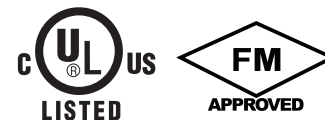
Size	3"/80	4"/100	6"/150	8"/200	10"/250	12"/300
L	9.49/241	10.00/254	11.50/292	12.52/318	14.76/375	14.88/378
H	18.23/463	20.55/522	28.15/715	35.94/913	44.02/1118	51.18/1300
D	8.66/220	8.66/220	12.05/306	14.57/370	16.54/420	17.52/445

NET WEIGHT (kg) & CRATE QTY (pcs)

Size	3"/80	4"/100	6"/150	8"/200	10"/250	12"/300
N.W.	18.36	23.05	31.66	62.3	109.67	157.00
Crate Qty	16	16	9	6	4	2

FEATURES & SPECIFICATIONS

- Rising stem, Outside Screw & Yoke (OS&Y)
- Stainless steel stem
- Valve conforms to AWWA C515 / BS5163
- Fusion bonded epoxy coated interior and exterior RAL3002
- Flange drilled to ANSI B16.1 Class 125 / ANSI B16.5 Class 150 / EN1092-2 PN16 / BS10 Table D / Table E
- Mechanical joint ends to AWWA C111 / A21.11
- Working pressure : 365psi
- Working temperature : -10°C ... 120°C


MATERIALS LIST

Name	Material
Body	Ductile Iron ASTM A536 65-45-12
Wedge	Ductile Iron ASTM A536 65-45-12 + EPDM
Wedge Nut	Stainless Steel AISI 304
Stem	Stainless Steel AISI 304/420
Bonnet	Ductile Iron ASTM A536 65-45-12
Gasket	EPDM
Packing	Graphite
Stem Nut	Bronze ASTM B62
Handwheel	Ductile Iron ASTM A536 65-45-12

DIMENSIONS (inch/mm)

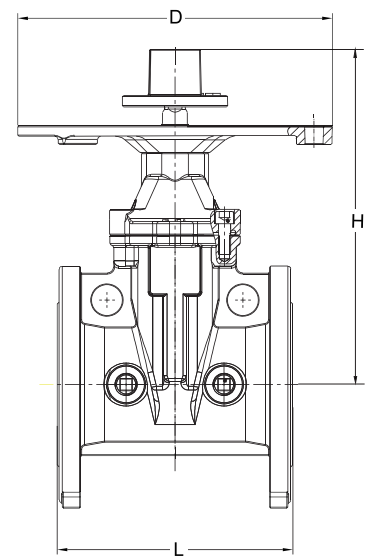
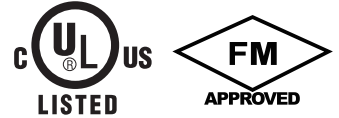
Size	3"/80	4"/100	6"/150	8"/200	10"/250	12"/300
L	8.74/222	9.51/241.5	11/279.5	12.00/305	13.88/352.50	14.45/367
H	18.32/463	20.55/522	28.15/715	35.94/913	44.02/1118	51.18/1300
D	8.66/220	8.66/220	12.05/306	14.57/370	16.54/420	17.52/445

NET WEIGHT (kg) & CRATE QTY (pcs)

Size	3"/80	4"/100	6"/150	8"/200	10"/250	12"/300
N.W.	18.17	22.72	39.61	73.21	113.31	170.50
Crate Qty	16	16	9	6	4	2

FEATURES & SPECIFICATIONS

- Non-rising stem
- Stainless steel stem
- Valve conforms to AWWA C515 / BSS163
- Fusion bonded epoxy coated interior and exterior RAL3002
- Flange drilled to ANSI B16.1 Class 125 / ANSI B16.5 Class 150 / EN1092-2 PN16 / BS10 Table D / Table E
- Working pressure : 365psi
- Working temperature : -10°C ... 120°C
- All valves provided with 2" (50mm) operating nut



MATERIALS LIST

Name	Material
Body	Ductile Iron ASTM A536 65-45-12
Wedge Disc	Ductile Iron ASTM A536 65-45-12 + EPDM
Disc Nut	Bronze ASTM B62
Stem	Stainless Steel AISI 304
Gasket	EPDM
Bonnet	Ductile Iron ASTM A536 65-45-12
Thrust Collar	Bronze ASTM B62
Gland	Ductile Iron ASTM A536 65-45-12
Wrench Nut	Ductile Iron ASTM A536 65-45-12
Post Plate	Ductile Iron ASTM A536 65-45-12

DIMENSIONS (inch/mm)

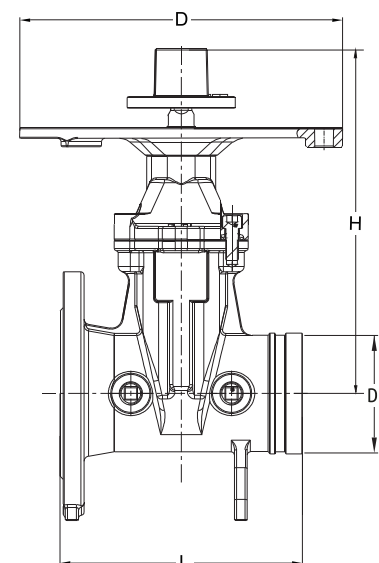
Size	2"/50	2.5"/65	3"/80	4"/100	5"/125	6"/150	8"/200	10"/250	12"/300
L	7.00/178	7.5/191	8.00/203	9.00/229	10.00/254	10.50/267	11.50/292	13.00/330	14.00/356
H	10.35/263	10.35/263	11.53/293	12.83/326	16.53/420	16.53/420	19.92/506	24.01/610	27.99/711
D	12.01/305	12.01/305	12.01/305	12.01/305	12.01/305	12.01/305	12.01/305	12.01/305	12.01/305

NET WEIGHT (kg) & CRATE QTY (pcs)

Size	2"/50	2.5"/65	3"/80	4"/100	5"/125	6"/150	8"/200	10"/250	12"/300
N.W.	24.00	25.30	27.50	35.00	42.00	50.00	83.00	123.50	175.50
Crate Qty	9	9	9	9	9	9	9	4	2

HIGH RISER GATE VALVE RESILIENT SEATED NRS TYPE FLANGED-GROOVED ENDS
365PSI
Fig No.: 3288-365-FG
FEATURES & SPECIFICATIONS

- Non-rising stem
- Stainless steel stem
- Valve conforms to AWWA C515 / BS5163
- Fusion bonded epoxy coated interior and exterior RAL3002
- Flange drilled to ANSI B16.1 Class 125 / ANSI B16.5 Class 150 / EN1092-2 PN16 / BS10 Table D / Table E
- Grooved ends to suit ANSI / AWWA and BS Pipe size
- Working pressure : 365psi
- Working temperature : -10°C ... 120°C
- All valves provided with 2" (50mm) operating nut


MATERIALS LIST

Name	Material
Body	Ductile Iron ASTM A536 65-45-12
Wedge Disc	Ductile Iron ASTM A536 65-45-12 + EPDM
Disc Nut	Bronze ASTM B62
Stem	Stainless Steel AISI 304
Gasket	EPDM
Bonnet	Ductile Iron ASTM A536 65-45-12
Thrust Collar	Bronze ASTM B62
Gland	Ductile Iron ASTM A536 65-45-12
Wrench Nut	Ductile Iron ASTM A536 65-45-12
Post Plate	Ductile Iron ASTM A536 65-45-12

DIMENSIONS (inch/mm)

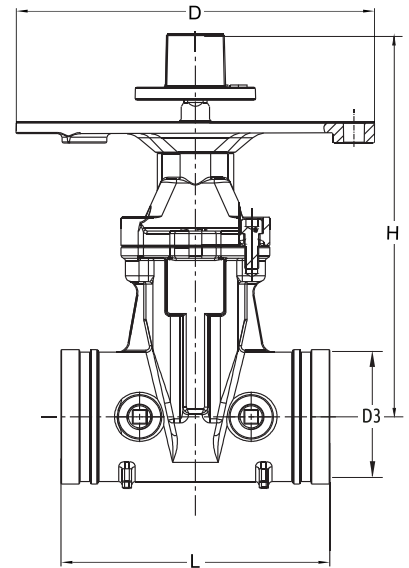
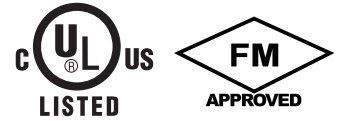
Size	2"/50	2.5"/65	3"/80	4"/100	5"/125	6"/150	8"/200	10"/250	12"/300			
L	7.00/178	7.5/191	8.00/203	9.00/229	10.00/254	10.50/267	11.50/292	13.00/330	14.00/356			
H	10.35/263	10.35/263	11.53/293	12.83/326	16.53/420	16.53/420	19.92/506	24.01/610	27.99/711			
D	12.01/305	12.01/305	12.01/305	12.01/305	12.01/305	12.01/305	12.01/305	12.01/305	12.01/305			
D3	2.37/60.3	2.87/73	2.99/76.1	2.37/88.9	4.5/114.3	5.56/141.3	5.5/139.7	6.63/168.3	6.5/165.1	8.63/219.1	10.75/273	12.75/323.9

NET WEIGHT (kg) & CRATE QTY (pcs)

Size	2"/50	2.5"/65	3"/80	4"/100	5"/125	6"/150	8"/200	10"/250	12"/300
N.W.	24.00	25.30	27.50	35.00	42.00	50.00	83.00	123.50	175.50
Crate Qty	9	9	9	9	9	9	9	4	2

FEATURES & SPECIFICATIONS

- Non-rising stem
- Stainless steel stem
- Valve conforms to AWWA C515 / BS5163
- Fusion bonded epoxy coated interior and exterior RAL3002
- Grooved ends to suit ANSI / AWWA and BS Pipe size
- Working pressure : 365psi
- Working temperature : -10°C ... 120°C
- All valves provided with 2" (50mm) operating nut



MATERIALS LIST

Name	Material
Body	Ductile Iron ASTM A536 65-45-12
Wedge Disc	Ductile Iron ASTM A536 65-45-12 + EPDM
Disc Nut	Bronze ASTM B62
Stem	Stainless Steel AISI 304
Gasket	EPDM
Bonnet	Ductile Iron ASTM A536 65-45-12
Thrust Collar	Bronze ASTM B62
Gland	Ductile Iron ASTM A536 65-45-12
Wrench Nut	Ductile Iron ASTM A536 65-45-12
Post Plate	Ductile Iron ASTM A536 65-45-12

DIMENSIONS (inch/mm)

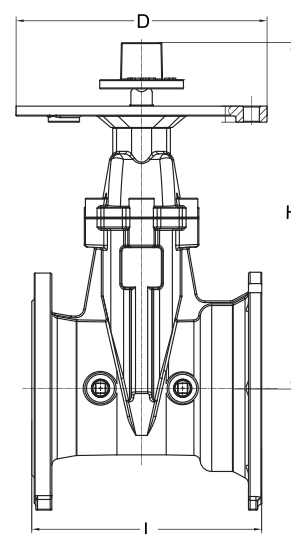
Size	2"/50	2.5"/65	3"/80	4"/100	5"/125	6"/150	8"/200	10"/250	12"/300
L	7.00/178	7.5/191	8.00/203	9.00/229	10.00/254	10.50/267	11.50/292	13.00/330	14.00/356
H	10.35/263	10.35/263	11.53/293	12.83/326	16.53/420	16.53/420	19.92/506	24.01/610	27.99/711
D	12.01/305	12.01/305	12.01/305	12.01/305	12.01/305	12.01/305	12.01/305	12.01/305	12.01/305
D3	2.37/60.3	2.87/73 2.99/76.1	2.37/88.9	4.5/114.3	5.56/141.3 5.5/139.7	6.63/168.3 6.5/165.1	8.63/219.1	10.75/273	12.75/323.9

NET WEIGHT (kg) & CRATE QTY (pcs)

Size	2"/50	2.5"/65	3"/80	4"/100	5"/125	6"/150	8"/200	10"/250	12"/300
N.W.	24.00	25.30	27.50	35.00	42.00	50.00	83.00	123.50	175.50
Crate Qty	9	9	9	9	9	9	9	4	2

HIGH RISER GATE VALVE RESILIENT SEATED NRS TYPE MECHANICAL JOINT ENDS
365PSI
Fig No.: 3288-365-MJ
FEATURES & SPECIFICATIONS

- Non-rising stem
- Stainless steel stem
- Valve conforms to AWWA C515 / BSS163
- Fusion bonded epoxy coated interior and exterior RAL3002
- Mechanical joint ends to AWWA C111 / A21.11
- Working pressure : 365psi
- Working temperature : -10°C ... 120°C
- All valves provided with 2" (50mm) operating nut


MATERIALS LIST

Name	Material
Body	Ductile Iron ASTM A536 65-45-12
Wedge Disc	Ductile Iron ASTM A536 65-45-12 + EPDM
Disc Nut	Bronze ASTM B62
Stem	Stainless Steel AISI 304
Gasket	EPDM
Bonnet	Ductile Iron ASTM A536 65-45-12
Thrust Collar	Bronze ASTM B62
Gland	Ductile Iron ASTM A536 65-45-12
Wrench Nut	Ductile Iron ASTM A536 65-45-12
Post Plate	Ductile Iron ASTM A536 65-45-12

DIMENSIONS (inch/mm)

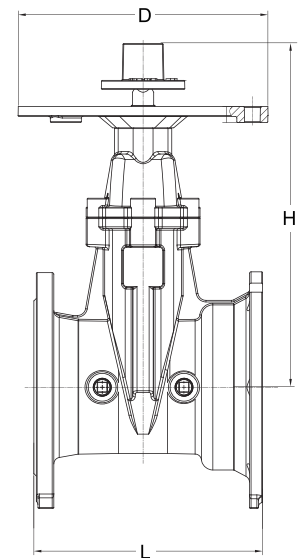
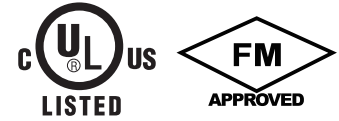
Size	3"/80	4"/100	6"/150	8"/200	10"/250	12"/300
L	9.49/241	10.00/254	11.50/292	12.52/318	14.76/375	14.88/378
H	11.54/293	12.83/326	16.54/420	19.92/506	24.02/610	27.99/711
D	12.01/305	12.01/305	12.01/305	12.01/305	12.01/305	12.01/305

NET WEIGHT (kg) & CRATE QTY (pcs)

Size	3"/80	4"/100	6"/150	8"/200	10"/250	12"/300
N.W.	21.63	26.14	40.48	65.97	101.76	147.50
Crate Qty	9	9	9	9	4	2

FEATURES & SPECIFICATIONS

- Non-rising stem
- Stainless steel stem
- Valve conforms to AWWA C515 / BS5163
- Fusion bonded epoxy coated interior and exterior RAL3002
- Flange drilled to ANSI B16.1 Class 125 / ANSI B16.5 Class 150 / EN1092-2 PN16 / BS10 Table D / Table E
- Mechanical joint ends to AWWA C111 / A21.11
- Working pressure : 365psi
- Working temperature : -10°C ... 120°C
- All valves provided with 2" (50mm) operating nut



MATERIALS LIST

Name	Material
Body	Ductile Iron ASTM A536 65-45-12
Wedge Disc	Ductile Iron ASTM A536 65-45-12 + EPDM
Disc Nut	Bronze ASTM B62
Stem	Stainless Steel AISI 304/402
Gasket	EPDM
Bonnet	Ductile Iron ASTM A536 65-45-12
Thrust Collar	Bronze ASTM B62
Gland	Ductile Iron ASTM A536 65-45-12
Wrench Nut	Ductile Iron ASTM A536 65-45-12
Post Plate	Ductile Iron ASTM A536 65-45-12

DIMENSIONS (inch/mm)

Size	3"/80	4"/100	6"/150	8"/200	10"/250	12"/300
L	8.74/222.0	9.51/242	11.00/280	12.01/305	13.88/353	14.45/367.0
H	11.54/293	12.83/326	16.54/420	19.92/506	24.02/610	27.99/711
D	12.01/305	12.01/305	12.01/305	12.01/305	12.01/305	12.01/305

NET WEIGHT (kg) & CRATE QTY (pcs)

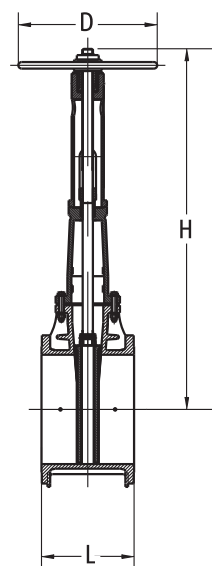
Size	3"/80	4"/100	6"/150	8"/200	10"/250	12"/300
N.W.	21.29	25.75	41.42	70.60	105.48	157.50
Crate Qty	9	9	9	9	4	2

FIRERISER GATE VALVE OS&Y TYPE FLANGED ENDS

200PSI / 250PSI
Fig No.: 3299-L-200-FLA / 3299-L-250-FLA

FEATURES & SPECIFICATIONS

- Rising stem, Outside Screw & Yoke (OS&Y)
- Stainless steel stem
- Valve conforms to AWWA C515 / BS5163
- Fusion bonded epoxy coated interior and exterior RAL3002
- Flange drilled to ANSI B16.1 Class 125 / ANSI B16.5 Class 150 / EN1092-2 PN16 / BS10 Table D / Table E
- Working pressure : 250psi for DN350 / DN400 / DN450,
200psi for DN500 / DN600
- Working temperature : -10°C ... 120°C



MATERIALS LIST

Name	Material
Body	Ductile Iron ASTM A536 65-45-12
Wedge	Ductile Iron ASTM A536 65-45-12 + EPDM
Wedge Nut	Stainless Steel AISI 304
Stem	Stainless Steel AISI 304/420
Bonnet	Ductile Iron ASTM A536 65-45-12
Gasket	EPDM
Packing	Graphite
Stem Nut	Bronze ASTM B62
Handwheel	Ductile Iron ASTM A536 65-45-12

DIMENSIONS (inch/mm)

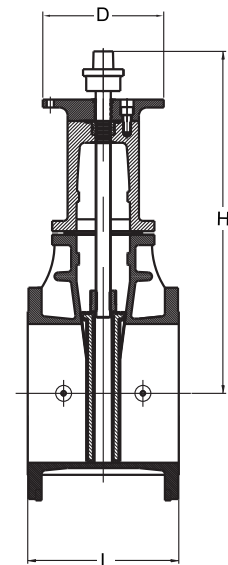
Size	14"/350	16"/400	18"/450	20"/500	24"/600
L	15.00/381	15.98/406	17.01/432	17.99/457	20.00/508
H	62.09/1577	70.87/1800	80.63/2048	90.43/2297	102.36/2600
D	20.00/508	21.97/558	24.02/610	24.02/610	30.00/762

NET WEIGHT (kg) & CRATE QTY (pcs)

Size	14"/350	16"/400	18"/450	20"/500	24"/600
N.W.	277.00	366.00	530.00	754.00	1020.00
Crate Qty	1	1	1	1	1

FEATURES & SPECIFICATIONS

- Non-rising stem
- Stainless steel stem
- Valve conforms to AWWA C515
- Fusion bonded epoxy coated interior and exterior RAL3002
- Flange drilled to ANSI B16.1 Class 125 / ANSI B16.5 Class 150 / EN1092-2 PN16 / BS10 Table D / Table E
- Working pressure : 250psi for DN350 / DN400 / DN450, 200psi for DN500 / DN600
- Working temperature : -10°C ... 120°C
- All valves provided with 2" (50mm) operating nut



MATERIALS LIST

Name	Material
Body	Ductile Iron ASTM A536 65-45-12
Wedge Disc	Ductile Iron ASTM A536 65-45-12 + EPDM
Disc Nut	ASTM B62 C83600
Stem	Stainless Steel AISI 431
Gasket	EPDM
Bonnet	Ductile Iron ASTM A536 65-45-12
Thrust Collar	Bronze ASTM B62
Gland	Ductile Iron ASTM A536 65-45-12
Wrench Nut	Ductile Iron ASTM A536 65-45-12
Post Plate	Ductile Iron ASTM A536 65-45-12

DIMENSIONS (inch/mm)

Size	14"/350	16"/400	18"/450	20"/500	24"/600
L	15.00/381	15.98/406	17.01/432	17.99/457	20.00/508
H	33.94/862	36.93/938	41.61/1057	44.96/1142	50.98/1295
D	12.01/305	12.01/305	12.01/305	12.01/305	12.01/305

NET WEIGHT (kg) & CRATE QTY (pcs)

Size	14"/350	16"/400	18"/450	20"/500	24"/600
N.W.	232.00	308.00	446.00	636.00	848.00
Crate Qty	1	1	1	1	1

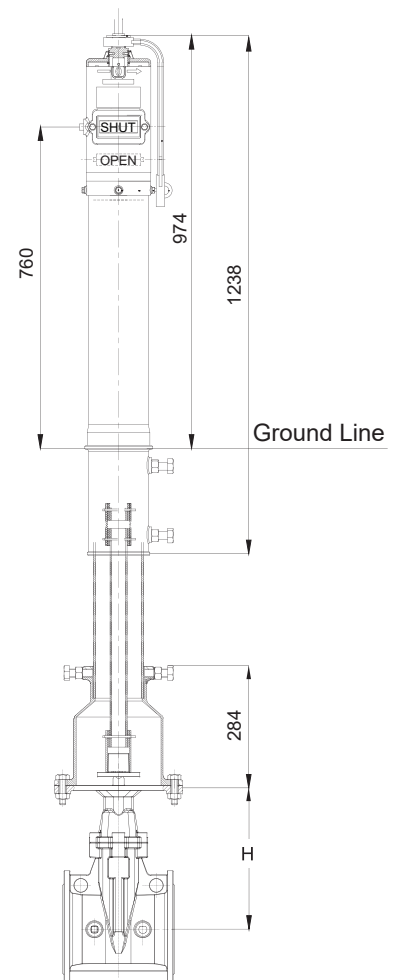
INDICATOR POST

Fig No.: IPO365

MATERIALS LIST

Name	Material
Hex Nut	Steel / SS304
Hex Bolt	Steel / SS304
Screw	Steel / SS304
Plug	ASTM SS304
Body	Steel / SS304
Pedestal	ASTM A536 65-45-12
Square Tube	AISI 1045
Cotter	WCB / SS304
Hoisting Ring	AISI 1045
Square Tube	AISI 1045
Support Barrel	ASTM A53
Lower Barrel-Second	ASTM A536 65-45-12
Lower Barrel-First	ASTM A536 65-45-12
Shut Indicator	ASTM 2024
Open Indicator	ASTM 2024
Seal Ring	EPDM
Plat Washer	Steel / SS304
Hex Bolt	Steel / SS304
Window	Lexan
Window Cover	ASTM A307B
Body	ASTM A536 65-45-12
Operating Screw	ASTM SS304
Pin	Steel / SS304
Retainer Ring	65Mn
Dust Cap	EPDM
Operating Nut	ASTM A536 65-45-12
Wrench	ASTM A536 65-45-12

Note : Internal and external fusion bonded epoxy / polyester coating to RAL3002 (specify on order).



BURY DEPTH

Size	Min. Bury Depth (mm/inch)	Max. Bury Depth (mm/inch)	H mm	H inch
2"	623 / 24.53"	1493 / 58.78"	196	7.72"
2½"	623 / 24.53"	1493 / 58.78"	196	7.72"
3"	643 / 25.32"	1513 / 59.57"	224	8.82"
4"	667 / 26.26"	1537 / 60.51"	252	9.92"
5"	728 / 28.66"	1598 / 62.91"	343	13.50"
6"	762 / 30.00"	1632 / 64.25"	343	13.50"
8"	847 / 33.35"	1717 / 67.60"	423	16.65"
10"	942 / 37.09"	1812 / 71.34"	534	21.02"
12"	1028 / 40.47"	1898 / 74.72"	613	24.13"

FIELD ADJUSTMENT

1. Remove the top section from the top of the Indicator Post assembly.
2. Cut the required length off the bottom of the Standpipe for the Ground Line to match up with Standpipe Ground Line mark.
3. Set the "OPEN" and "SHUT" targets for the appropriate valve size.
4. Reattach the Top Section to the top of the Indicator Post assembly.

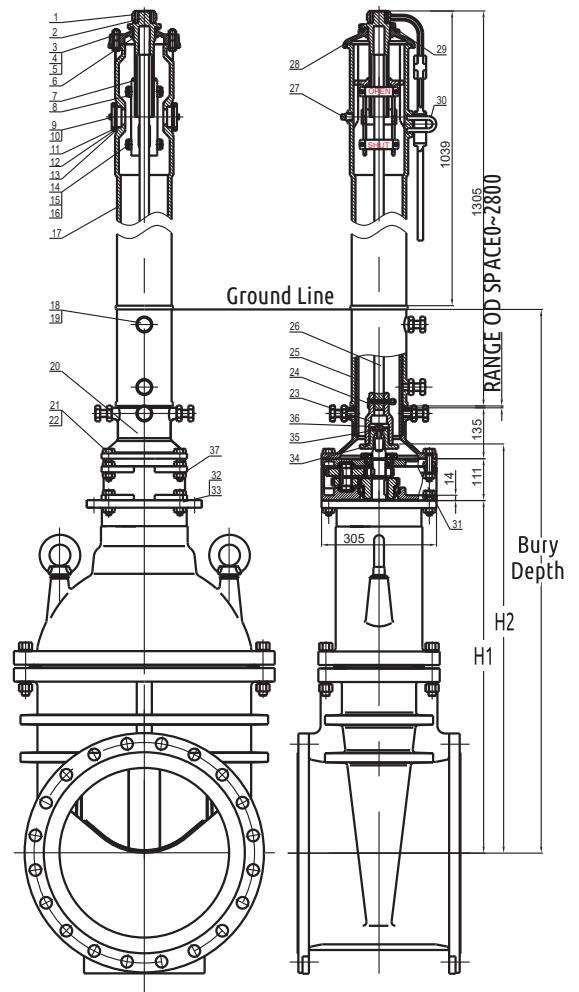
LARGE NRS INDICATOR POST

Fig No.: IPOL888

MATERIALS LIST

No.	Name	Material
1	Locking Wrench	ASTM A536
2	Operating Nut	ASTM B62/A351 CF8
3	Bolt	ASTM A105
4	Nut	ASTM A105
5	Flat Washer	ASTM A105
6	Shap Ring	AISI 606
7	Taget Carrier Nut	ASTM B62
8	Target	ASTM B108
9	Bolt	ASTM A105
10	Flat Washer	ASTM A105
11	Window Gland	ASTM A307B
12	Window Glass	LEXAN-UN STABILIZE
13	Gasket	EPDM
14	Bolt	ASTM A105
15	Spring Washer	ASTM A105
16	Nut	ASTM A105
17	Body	ASTM A536
18	Bolt	ASTM A105
19	Nut	ASTM A105
20	Base Flange	ASTM A126B
21	Bolt	ASTM A105
22	Nut	ASTM A105
23	Crane Coupling	ASTM A536
24	Cotter Pin	AISI 304
25	Stand Pipe	ASTM A536
26	Stem 1" Square	AISI 1045
27	Plug	AISI 304
28	Top Cover	ASTM A126B
29	Screw	AISI 304
30	Lock Nose	ASTM A307B
31	Reducer	PARTS
32	Bolt	ASTM A105
33	Nut	ASTM A105
34	Wrench Nut	ASTM A536
35	Washer	AISI 304
36	Hex. Socket Cap Screw	AISI 304
37	Spring Washer	AISI 304

Note : Internal and external fusion bonded epoxy / polyester coating to RAL3002 (specify on order).



BURY DEPTH

Size	Min. Bury	Max. Bury	H1		H2	
	Depth (inch)	Depth (inch)	mm	inch	mm	inch
14"	50.87"	158.35"	741	29.17"	889.5	35.02"
16"	53.82"	161.30"	816	32.13"	964.5	37.97"
18"	58.54"	166.02"	936	36.85"	1084	42.68"
20"	61.89"	169.37"	1021	40.20"	1169	46.02"
24"	67.87"	175.35"	1173	46.18"	1344.5	52.93"

FIELD ADJUSTMENT

1. Remove the top section from the top of the Indicator Post assembly.
2. Cut the required length off the bottom of the Standpipe for the Ground Line to match up with Standpipe Ground Line mark.
3. Set the "OPEN" and "SHUT" targets for the appropriate valve size.
4. Reattach the Top Section to the top of the Indicator Post assembly.

INDICATOR POST WALL TYPE

Fig No.: WPO365

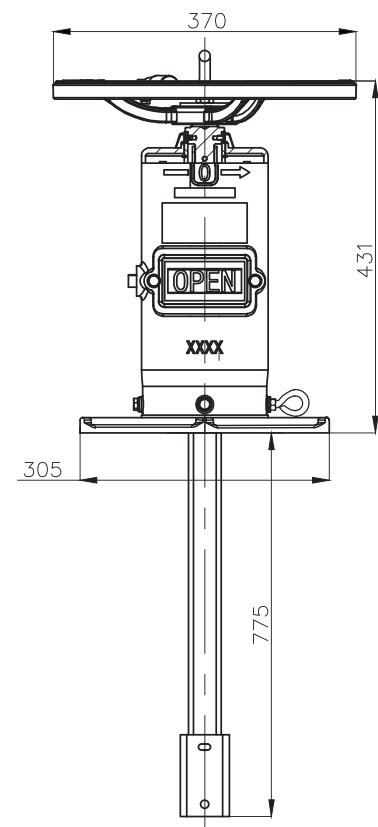
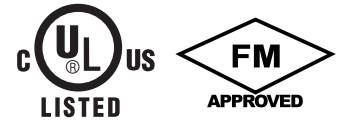
MATERIALS LIST

Name	Material
Hoisting Ring	ASTM A105
Hex Nut	ASTM A105
Handwheel	ASTM A536
Gasket	ASTM SS304
Operating Nut	ASTM A536
Dust Cap	EPDM
Rethiner Ring	65Mn
Pin	Steel / SS304
Operating Screw	ASTM SS304
Body	ASTM A536
Window Cover	ASTM A307B
Window	Lexan
Hex Bolt	Steel / SS304
Plat Washer	Steel / SS304
Seal Ring	EPDM
Open Indicator	ASTM 2024
Shut Indicator	ASTM 2024
Flange	ASTM A536
Square Tube	AISI 1045
Handle	Parts
Screw	Steel / SS304
Plug	ASTM SS304
Cotter	Steel / SS304
Plat Washer	Steel / SS304
Screw	Steel / SS304
Hex Nut	Steel / SS304

Note : Internal and external fusion bonded epoxy / polyester coating to RAL3002 (specify on order).

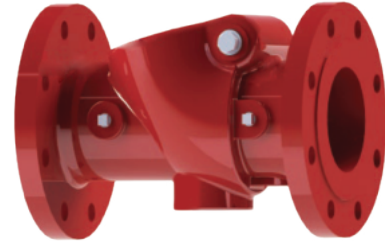
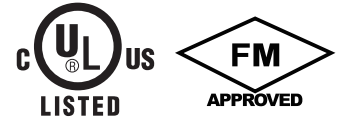
FIELD ADJUSTMENT

1. Remove the top section from the top of the Indicator Post assembly.
2. Set the "OPEN" and "SHUT" targets for the appropriate valve size.
3. Reattach the Top Section to the top of the Indicator Post assembly.



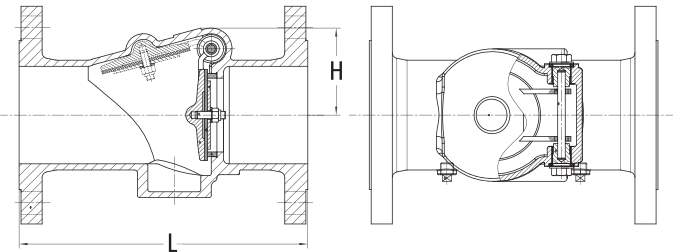
FEATURES & SPECIFICATIONS

- Swing type
- Valve conforms to AWWA C508, clear waterway
- Fusion bonded epoxy coated RAL3002
- Flange drilled to ANSI B16.1 Class 125 / ANSI B16.42 Class 150 / ANSI B16.1 Class 250 / EN1092-2 PN16 / BS10 Table D / Table E
- Working pressure : 365psi
- Working temperature : 0°C ... 80°C



MATERIALS LIST

Name	Material
Body	Ductile Iron A536 65-45-12
Clapper	Ductile Iron A536 65-45-12
Seat	Bronze ASTM C83600
Disc Sealing Ring	EPDM
Shaft	Stainless Steel AISI 304
Pressing Plate	Stainless Steel AISI 304



DIMENSIONS (inch/mm)

Size	2"/50	2.5"/65	3"/80	4"/100	5"/125	6"/150	8"/200	10"/250	12"/300
L	8/203	8.7/222	9.5/241	12/305	14/356	15.5/394	18/457	21/533	24/610
H	3/80	3.3/85	3.7/93	4/108	4.7/121	7.8/199	9.2/233	10.8/274	12/306

NET WEIGHT (kg) & CRATE QTY (pcs)

Size	2"/50	2.5"/65	3"/80	4"/100	5"/125	6"/150	8"/200	10"/250	12"/300
N.W.	12.00	17.50	22.00	34.00	58.00	67.30	120.00	174.00	246.00
Crate Qty	30	20	20	12	8	6	6	2	2

HIGHRISER SWING CHECK VALVE GROOVED ENDS

365PSI

Fig No.: 5201-365-GG



DESCRIPTION

5201-365-GG is a non-return valve which permits water flow in one direction and prevents flow in reverse direction. The function is realized by a EPDM coated carbon steel clapper and a broadened seat, to provide a long service time and leak-free sealing. It is widely used with various configurations in fire pump room, fire sprinkler systems, fire department connections, gravity pressure tank or by-pass connections etc.



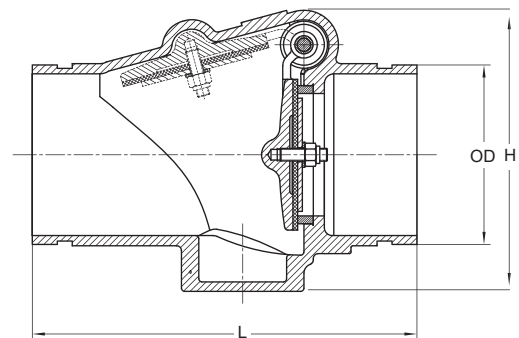
FEATURES & SPECIFICATIONS

- Swing type
- Fusion bonded epoxy coated RAL3002
- Grooved ends to suit ANSI / AWWA and BS Pipe size
- Working pressure : 365psi
- Working temperature : 0°C ... 80°C



MATERIALS LIST

Part	Specification
Body	Ductile Iron ASTM A536 65-45-12
Clapper	Ductile Iron ASTM A536 65-45-12
Seat	Bronze ASTM B62 C83600
Disc Sealing Ring	EPDM
Shaft	Stainless Steel AISI 304
Pressing Plate	Stainless Steel AISI 304



DIMENSIONS (inch/mm)

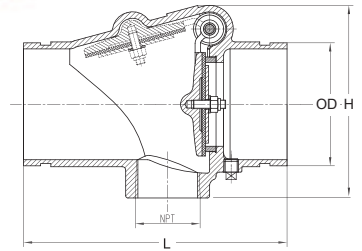
Size	2"/50	2.5"/65	3"/80	4"/100	5"/125	6"/150	8"/200	10"/250	12"/300			
L	6.65/169	7.99/203	8.39/213	9.65/245	10.54/267	11.50/292	14.02/356	17.01/432	19.49/495			
H	5.58/141.79	5.99/152.25	6.59/167.5	7.48/190	8.46/215	9.92/252	14.63/371.6	17.17/436.1	19.31/490.6			
OD	2.37/60.3	2.87/73	3.0/76.1	3.5/88.9	4.5/114.3	5.5/139.7	5.56/141.3	6.5/165.1	6.63/168.3	8.63/219.1	10.75/273	12.75/323.9

NET WEIGHT (kg) & CRATE QTY (pcs)

Size	2"/50	2.5"/65	3"/80	4"/100	5"/125	6"/150	8"/200	10"/250	12"/300
N.W.	3.5	4.5	6	9.5	18	19.5	33	53	94
Crate Qty	100	100	95	50	32	32	6	6	2

DESCRIPTION

5201-365-GGR is a vertical installed non-return valve in a "Riser" arrangement. With trim unit, the check valve utilizes an electric flow switch and alarm bell instead of a water motor gong for fire notification. Valve body is the same as 5201-365-GG, easy to adapt on job field.



FEATURES & SPECIFICATIONS

- Swing type
- Fusion bonded epoxy coated RAL3002
- Grooved ends to suit ANSI / AWWA and BS Pipe size
- Working pressure : 365psi
- Working temperature : 0°C ... 80°C

MATERIALS LIST

Part	Specification
Body	Ductile Iron ASTM A536 65-45-12
Clapper	Ductile Iron ASTM A536 65-45-12
Seat	Bronze ASTM B62 C83600
Disc Sealing Ring	EPDM
Shaft	Stainless Steel AISI 304
Pressing Plate	Stainless Steel AISI 304

PIPE TAPERED THREAD SIZE TABLE

Nominal Size (inch/mm)	Pipe Tapered Standard Thread Size	Pipe Tapered Optional Thread Size
2/50	1"	0.25", 0.5", 0.75"
2.5/65	1.25"	0.25", 0.5", 0.75", 1"
3/80	1.25"	0.25", 0.5", 0.75", 1"
4/100	2"	0.25", 0.5", 0.75", 1", 1.25", 1.5"
5/125	2"	0.25", 0.5", 0.75", 1", 1.25", 1.5"
6/150	2"	0.25", 0.5", 0.75", 1", 1.25", 1.5"
8/200	2"	0.25", 0.5", 0.75", 1", 1.25", 1.5"
10/250	2"	0.25", 0.5", 0.75", 1", 1.25", 1.5"
12/300	2"	0.25", 0.5", 0.75", 1", 1.25", 1.5"

Note: Pipe tapered thread hole size has to be specified by ordering. If non-standard thread, please contact Fivalco or its local distributor.

DIMENSIONS (inch/mm)

Size	2"/50	2.5"/65	3"/80	4"/100	5"/125	6"/150	8"/200	10"/250	12"/300			
L	6.65/169	7.99/203	8.39/213	9.65/245	10.54/267	11.50/292	14.02/356	17.01/432	19.49/495			
H	5.58/141.79	5.99/152.25	6.59/167.5	7.48/190	8.46/215	9.92/252	14.63/371.6	17.17/436.1	19.31/490.6			
OD	2.37/60.3	2.87/73	3.0/76.1	3.5/88.9	4.5/114.3	5.5/139.7	5.56/141.3	6.5/165.1	6.63/168.3	8.63/219.1	10.75/273	12.75/323.9

NET WEIGHT (kg) & CRATE QTY (pcs)

Size	2"/50	2.5"/65	3"/80	4"/100	5"/125	6"/150	8"/200	10"/250	12"/300
N.W.	3.5	4.5	6	9.5	18	19.5	33	53	94
Crate Qty	100	100	95	50	32	32	6	6	2

HIGHRISER DOUBLE DOOR CHECK VALVE WAFER TYPE

300PSI

Fig No.: 5301-300-W

FEATURES & SPECIFICATIONS

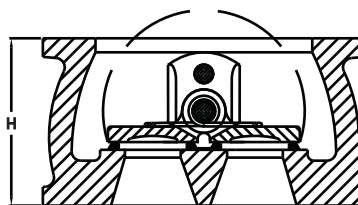
- Spring loaded double door
- Rubber seat for non-slam effect
- Fusion bonded epoxy coated RAL3002
- Valve conforms to API 594
- Wafer connection to ANSI Class 125 / ANSI Class 150 / EN 1092-2 PN16 / BS10 Table D / Table E
- Working pressure : 300psi
- Working temperature : -20°C ... 110°C



MATERIALS LIST

Name	Material
Body	Ductile Iron A536 65-45-12
Disc	Stainless Steel A351 CF8
Stem	Stainless Steel AISI 416
Seat-Ring	EPDM
Spring	Stainless Steel AISI 304

Note : Lifting ring for DN200 and above



DIMENSIONS (inch/mm)

Size	2"/50	2.5"/65	3"/80	4"/100	5"/125	6"/150	8"/200	10"/250	12"/300
H	2.13/54	2.36/60	2.64/67	2.64/67	3.27/83	3.74/95	5/127	5.51/140	7.13/181

NET WEIGHT (kg) & CRATE QTY (pcs)

Size	2"/50	2.5"/65	3"/80	4"/100	5"/125	6"/150	8"/200	10"/250	12"/300
N.W.	1.80	2.90	4.80	5.40	8.10	12.00	19.20	33.20	52.90
Crate Qty	1296	686	539	396	250	168	84	54	28

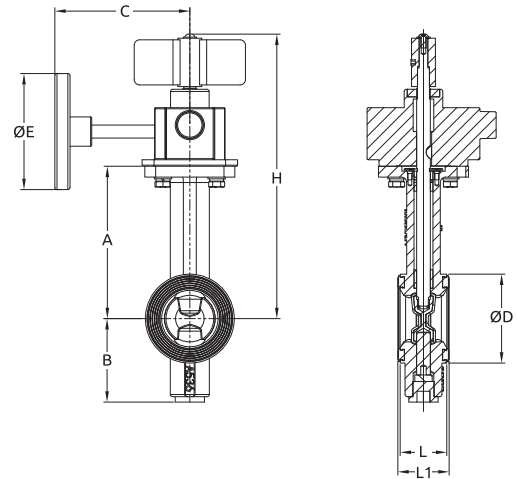
FEATURES & SPECIFICATIONS

- Valve conforms to MSS SP-67 / BS EN593: 2009
- Design and test standard conforms to FM1112 and UL1091
- Fusion bonded epoxy coated RAL3002
- Fitted with visual indicator and supervisory switch
- EPDM encapsulated disc
- Valve suitable for indoor and outdoor installation
- Universal wafer connection suitable for ANSI Class 150 / BS 4504 PN16 / EN1092-2 PN16
- Working pressure : 300psi - Non Shock Coldwater
- Max. Test Pressure : 600psi
- Working temperature : -10°C ... 120°C



MATERIALS LIST

Name	Material
Body	Ductile Iron ASTM A536 65-45-12
Disc	Ductile Iron ASTM A536 65-45-12 + EPDM
Lower Shaft	Stainless Steel SS410
Upper Shaft	Stainless Steel SS410
Signal Gearbox	Ductile Iron ASTM A536 65-45-12
O-Ring	EPDM
Bushing	Bronze ASTM B150M C63000
Gland	Galvanized Carbon Steel Surface Passivation
Washer	Galvanized Carbon Steel Surface Passivation
Plug	Galvanized Carbon Steel Surface Passivation
Gear Box Fasteners	Galvanized Carbon Steel Surface Passivation



DIMENSIONS (inch/mm)

Size	2"/50	2.5"/65	3"/80	4"/100	5"/125	6"/150	8"/200	10"/250	12"/300
A	140.5	152.5	157.5	176	191	202.5	243.5	273	311
B	77	80	87	108	132	144	174	208	261
C	110	110	110	110	133	133	187	187	187
H	262.4	274.5	279.5	298	313.5	330	379	409	465
L	43	46	46	52	56	56	62	68	78
L1	47	51	51	57	61	61	67	73	83
ØD	82	97	109	140	165	198	252	304	355
ØE	108	108	108	108	150	150	250	250	250

NET WEIGHT (kg) & CRATE QTY (pcs)

Size	2"/50	2.5"/65	3"/80	4"/100	5"/125	6"/150	8"/200	10"/250	12"/300
N.W.	4.6	4.9	4.9	6.1	10.3	12.2	22.9	28.7	46.5
Crate Qty	95	85	75	60	50	40	25	15	15

HIGHRISER BUTTERFLY VALVE GROOVED ENDS

300PSI

Fig No.: FPBG-300G



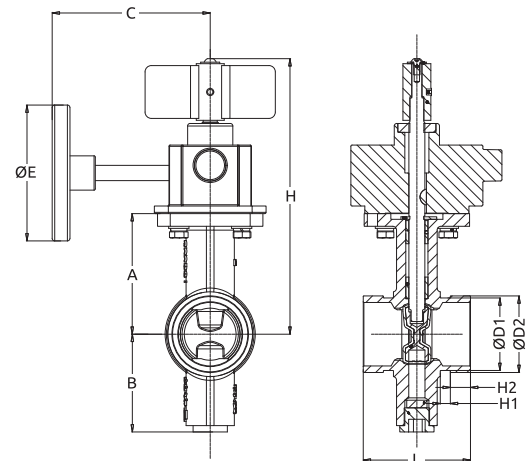
FEATURES & SPECIFICATIONS

- Valve conforms to MSS SP-67 / BS EN593: 2009
- Design and test standard conforms to FM1112 and UL1091
- Fusion bonded epoxy coated RAL3002
- Fitted with visual indicator and supervisory switch
- EPDM encapsulated disc
- Valve suitable for indoor and outdoor installation
- Grooved ends to suit AWWA or BS pipe size
- Working pressure : 300psi - Non Shock Coldwater
- Max. Test Pressure : 600psi
- Working temperature : -10°C ... 120°C



MATERIALS LIST

Name	Material
Body	Ductile Iron ASTM A536 65-45-12
Disc	Ductile Iron ASTM A536 65-45-12 + EPDM
Lower Shaft	Stainless Steel SS410
Upper Shaft	Stainless Steel SS410
Signal Gearbox	Ductile Iron ASTM A536 65-45-12
O-Ring	EPDM
Bushing	Bronze ASTM B150M C63000
Gland	Galvanized Carbon Steel Surface Passivation
Washer	Galvanized Carbon Steel Surface Passivation
Plug	Galvanized Carbon Steel Surface Passivation
Gear Box Fasteners	Galvanized Carbon Steel Surface Passivation



DIMENSIONS (inch/mm)

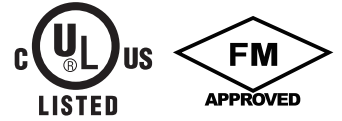
Size	2"/50	2.5"/65	3"/80	4"/100	5"/125	6"/150	8"/200	10"/250	12"/300
A	95	98	105	135	148	165	204	245	277.5
B	77	80	87	108	132	144	173	208	261
C	110	110	110	110	133	133	187	187	187
H	217	216	227	256	275	292	339	380	426.5
L	84.5	98	98	116	149	147.6	134	160	165
ØE	108	108	108	108	150	150	250	250	250
H1	7.93	7.93	7.93	9.53	9.53	9.53	11.13	12.7	12.7
H2	15.88	15.88	15.88	15.88	15.88	15.88	19.05	19.05	19.05
ØD1	57.15	69.09	84.94	110.08	137.03	163.96	214.4	268.28	318.3
ØD2	60.33	73/76.1	88.9	114.3	141.3/139.7	168.3/165.1	219.1	273.1	323.9

NET WEIGHT (kg) & CRATE QTY (pcs)

Size	2"/50	2.5"/65	3"/80	4"/100	5"/125	6"/150	8"/200	10"/250	12"/300
N.W.	4.4	4.9	5.2	6.3	11.7	14	22.1	36.2	50.2
Crate Qty	90	80	70	60	50	40	20	10	10

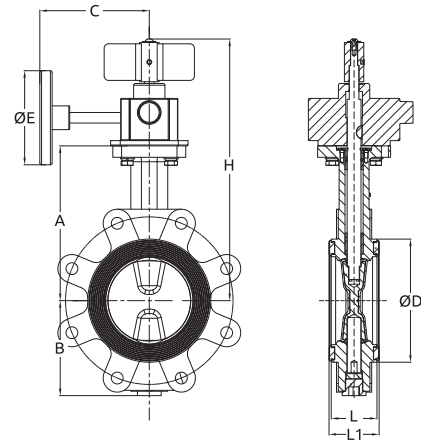
FEATURES & SPECIFICATIONS

- Valve conforms to MSS SP-67 / BS EN593: 2009
- Design and test standard conforms to FM1112 and UL1091
- Fusion bonded epoxy coated RAL3002
- Fitted with visual indicator and supervisory switch
- EPDM encapsulated disc
- Valve suitable for indoor and outdoor installation
- Lugged connection to ANSI Class 150 / BS 4504 PN16 / EN 1092-2 PN16
- Working pressure : 300psi - Non Shock Coldwater
- Max. Test Pressure : 600psi
- Working temperature : -10°C ... 120°C



MATERIALS LIST

Name	Material
Body	Ductile Iron ASTM A536 65-45-12
Disc	Ductile Iron ASTM A536 65-45-12 + EPDM
Lower Shaft	Stainless Steel SS410
Upper Shaft	Stainless Steel SS410
Signal Gearbox	Ductile Iron ASTM A536 65-45-12
O-Ring	EPDM
Bushing	Bronze ASTM B150M C63000
Gland	Galvanized Carbon Steel Surface Passivation
Washer	Galvanized Carbon Steel Surface Passivation
Plug	Galvanized Carbon Steel Surface Passivation
Gear Box Fasteners	Galvanized Carbon Steel Surface Passivation



DIMENSIONS (inch/mm)

Size	50 2	65 2½	80 3	100 4	125 5	150 6	200 8	250 10	300 12
A	140.5	152.5	157.5	176	191	202.5	243.5	273	311
B	77	80	87	108	132	144	174	208	261
C	110	110	110	110	133	133	187	187	187
H	262.4	274.5	279.5	298	313.5	330	379	409	465
L	43	46	46	52	56	56	62	68	78
L1	47	51	51	57	61	61	67	73	83
ØD	82	97	109	140	165	198	252	304	355
ØE	108	108	108	108	150	150	250	250	250

NET WEIGHT (kg) & CRATE QTY (pcs)

Size	2"/50	2.5"/65	3"/80	4"/100	5"/125	6"/150	8"/200	10"/250	12"/300
N.W.	6.7	7.6	8.1	11.7	15.3	17.9	23.7	32.8	45.3
Crate Qty	60	60	60	40	30	30	20	20	10

FIREFLY BRONZE BUTTERFLY VALVE GROOVED ENDS

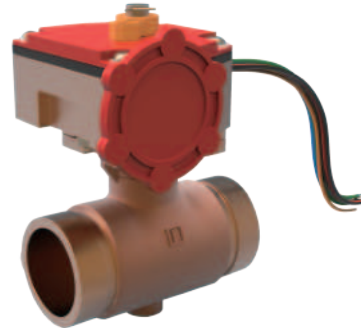
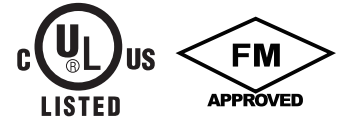
300PSI

Fig No.: BBG-300



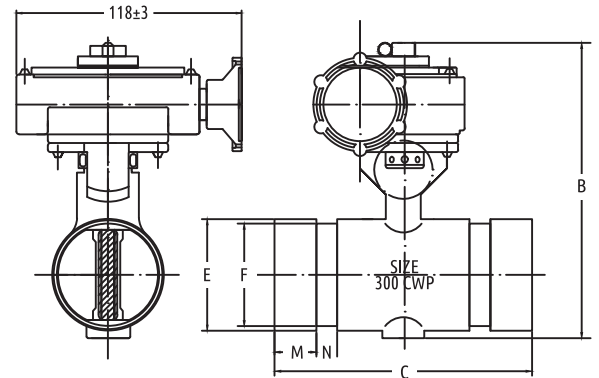
FEATURES & SPECIFICATIONS

- Factory installed UL listed double tamper switches
- Valve approved for indoor and outdoor use
- Grooved ends to suit BS or ANSI pipe size
- Working pressure : 300psi
- Max. Test Pressure : 600psi
- Max. working temperature : 250°F (120°C)



MATERIALS LIST

Name	Material
Body	Bronze C836000
Disc	Stainless Steel AISI304
Handwheel	WCB
Seat	Viton
Indicator	Powder Metal
Housing	Forged Brass



DIMENSIONS (mm)

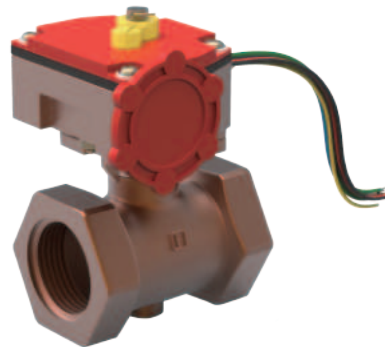
Size	1.25"/32	1.5"/40	2"/50	2.5"/65
B	138.9	145.9	159	175.5
C	98	102	104	114
ØE	42.4	48.3	60.3	73
ØF	38.99	45.09	57.15	69.09
M	15.88	15.88	15.88	15.88
N	7.95	7.95	7.95	7.95

NET WEIGHT (kg) & CRATE QTY (pcs)

Size	1.25"/32	1.5"/40	2"/50	2.5"/65
N.W.	1.80	1.87	2.17	2.80
Crate Qty	6	6	6	6

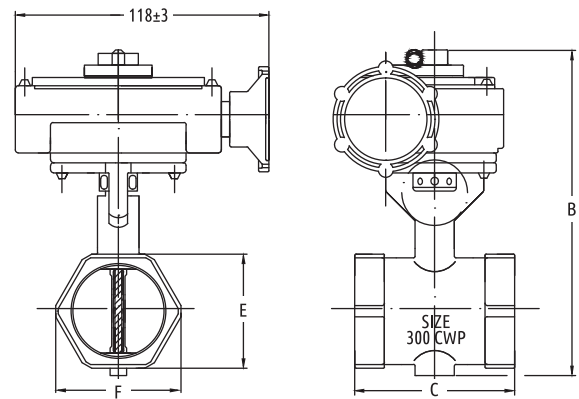
FEATURES & SPECIFICATIONS

- Factory installed UL listed double tamper switches
- Valve approved for indoor and outdoor use
- Threaded : NPT or BSPT
- Working pressure : 300psi
- Max. Test Pressure : 600psi
- Max. working temperature : 250°F (120°C)



MATERIALS LIST

Name	Material
Body	Bronze C836000
Disc	Stainless Steel AISI304
Handwheel	WCB
Seat	Viton
Indicator	Powder Metal
Housing	Forged Brass



DIMENSIONS (mm)

Size	1"/25	1.25"/32	1.5"/40	2"/50	2.5"/65
B	129	137.9	145.9	159.8	175.5
C	54	66.7	73	82.6	114
E	39.7	49.2	55.6	70	86.5
F	44.5	55	60.3	79	96

NET WEIGHT (kg) & CRATE QTY (pcs)

Size	1"/25	1.25"/32	1.5"/40	2"/50	2.5"/65
N.W.	1.55	1.71	1.83	2.35	3.38
Crate Qty	6	6	6	6	6

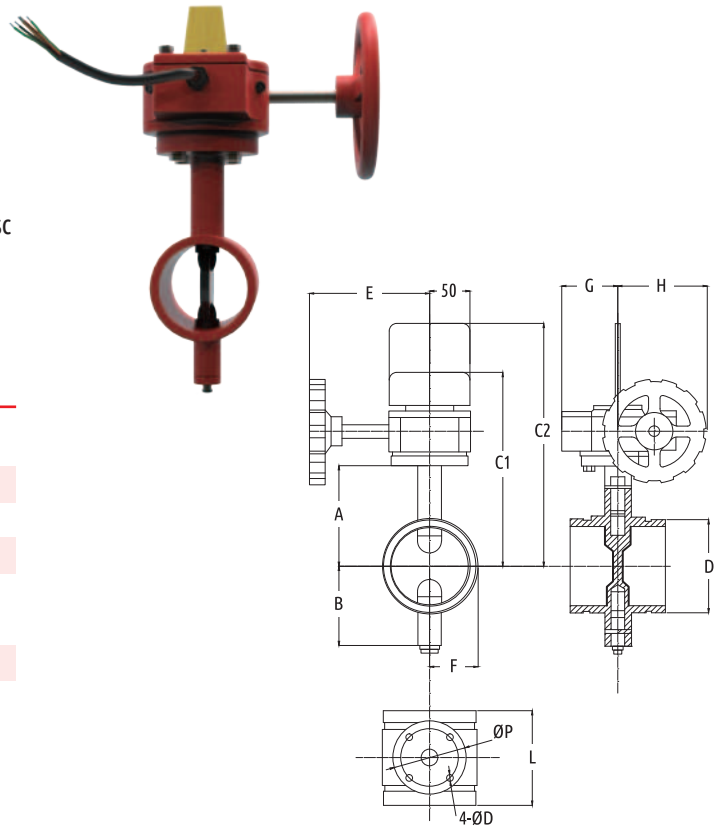
BS BUTTERFLY VALVE GROOVED ENDS

300PSI

Fig No.: 1352

FEATURES & SPECIFICATIONS

- Valve complies with EN593 / BS5155 / MSS SP-67
- Top flange complies with ISO5211/1
- End-to-end dimensions according to MSS SP-67-2002
- Grooved dimensions comply with Metric or ANSI pipe standards
- Gear operator with two internal CE approved switches
- Working pressure : 300psi
- Working temperature : -10°C ... 100°C for EPDM coated disc
- Working temperature : -10°C ... 82°C for NBR coated disc



MATERIALS LIST

Name	Material	EN Spec.
Body	Ductile Iron	EN-JS1050
Shaft	Stainless Steel	BS970 420S37
Disc	EPDM Coated DI	EN-JS1050
	NBR Coated DI	EN-JS1050
Bushing	PTFE	Commercial
O-Ring	EPDM/NBR	Commercial

DIMENSIONS (mm)

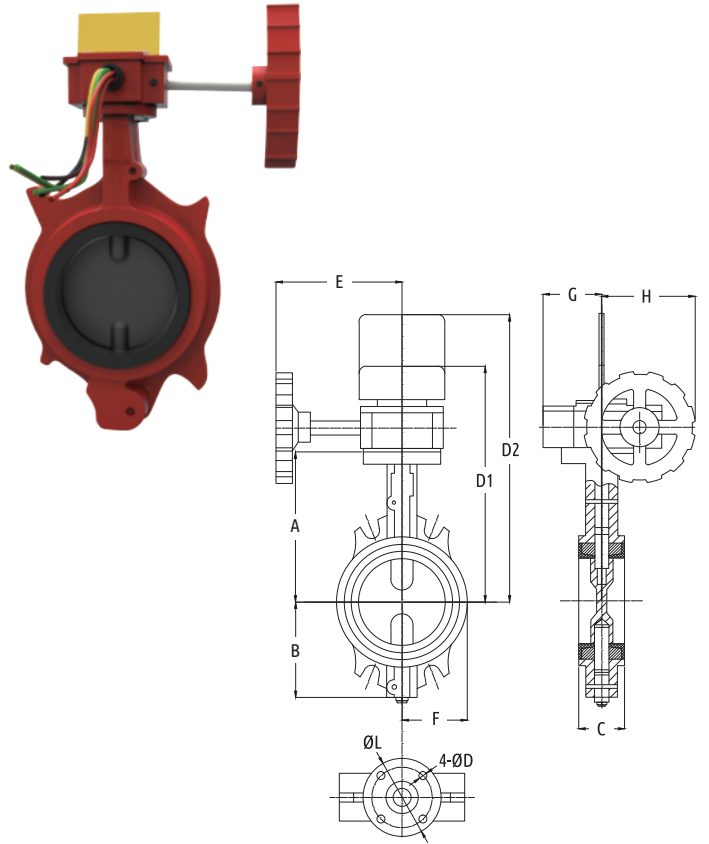
Size	2"/50	2.5"/65	3"/80	4"/100	5"/125	6"/150	8"/200	10"/250	12"/300
A	100.5	107	114.5	135	148.5	169	198	228.5	266
B	62	73/75	81	97	114	129	159	191	222
C1	201.5	208	215.5	236	249.5	270	299	329.5	367
C2	261.5	268	275.5	296	309.5	330	359	389.5	427
Pipe OD	60.3	73/76.1	88.9	114.3	141.3/139.7	168.3/165.1	219.1	273	323.9
E	147	147	147	147	147	147	47	197	197
F	50	50	50	59	72	85.5	112	138	164
G	71.5	71.5	71.5	71.5	71.5	71.5	71.5	75	75
H	109	109	109	109	109	145	145	166	166
L	81	96	96	116	147.6	148	135	159	165
P	70	70	70	70	70	70	70	102	102

NET WEIGHT (kg) & CRATE QTY (pcs)

Size	2"/50	2.5"/65	3"/80	4"/100	5"/125	6"/150	8"/200	10"/250	12"/300
N.W.	6.50	7.00	7.50	7.50	14.00	16.00	20.00	32.00	48.00
Crate Qty	100	100	80	80	42	42	30	14	14

FEATURES & SPECIFICATIONS

- Valve complies with EN593 / BS5155 / MSS SP-67
- Top flange complies with ISO5211/1
- End-to-end dimensions according to MSS SP-67-2002
- Flange drilled to BS EN 1092-2 PN16 / ANSI B16.1 Class125
- Gear operator with two internal CE approved switches
- Working pressure : 300psi
- Working temperature : -10°C ... 100°C for EPDM coated disc
- Working temperature : -10°C ... 82°C for NBR coated disc



MATERIALS LIST

Name	Material	EN Spec.
Body	Ductile Iron	EN-JS1050
Shaft	Stainless Steel	BS970 420S37
Disc	EPDM Coated DI NBR Coated DI	EN-JS1050 EN-JS1050
Bushing	PTFE	Commercial
O-Ring	EPDM/NBR	Commercial

DIMENSIONS (mm)

Size	2"/50	2.5"/65	3"/80	4"/100	5"/125	6"/150	8"/200	10"/250	12"/300
A	132.5	145	154.5	179	191.5	213.5	250.5	282.5	325.5
B	78	85	93	112	130	146	175	210	247
C	43	46	46	52	56	56	60	68	78
D1	233.5	246	255.5	280	292.5	314.5	351.5	383.5	426.5
D2	293.5	306	315.5	340	352.5	374.5	411.5	443.5	486.5
E	147	147	147	147	147	147	147	197	197
F	53	63	74	77.5	93	107	134	162	185
G	71.5	71.5	71.5	71.5	71.5	71.5	71.5	75	75
H	109	109	109	109	109	145	145	166	166
L	70	70	70	70	70	70	70	102	102
4-ØD	6	6	6	6	6	8	8	10	10

NET WEIGHT (kg) & CRATE QTY (pcs)

Size	2"/50	2.5"/65	3"/80	4"/100	5"/125	6"/150	8"/200	10"/250	12"/300
N.W.	7.00	7.30	8.30	11.00	12.50	14.00	22.00	29.00	36.00
Crate Qty	100	100	80	80	50	50	24	20	20

HIGHRISER Y STRAINER FLANGED ENDS

300PSI

Fig No.: YS-300-FF



FEATURES & SPECIFICATIONS

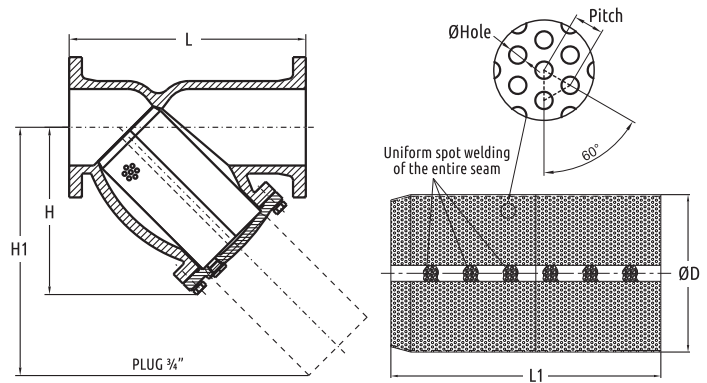
- Fusion bonded epoxy coated RAL3002
- Flange drilled to ANSI B16.1 Class 125 / ANSI B16.5 Class 150 / EN1092-2 PN16 / BS10 Table D / Table E
- Working pressure : 300psi
- Working temperature : -10°C ... 120°C



MATERIALS LIST

Name	Material
Body	Ductile Iron A536 65-45-12
Cover	Ductile Iron A536 65-45-12
Screen	Stainless Steel AISI 304
Gasket	EPDM
Plug	Carbon Steel

Size (In/mm)	Measured Loss at 15 fps (4.6m/s)
2"/50	7.22 psi
2.5"/65	5.89 psi
3"/80	8.24 psi
4"/100	5.88 psi
5"/125	7.63 psi
6"/150	4.82 psi
8"/200	5.83 psi
10"/250	7.25 psi
12"/300	5.73 psi



DIMENSIONS (inch/mm)

Size	2"/50	2.5"/65	3"/80	4"/100	5"/125	6"/150	8"/200	10"/250	12"/300
L	7.99/203	10.00/254	10.24/260	12.13/308	15.67/398	18.58/472	21.65/550	25.75/654	30.00/762
H	5.20/132	6.22/158	6.89/175	7.99/202	11.42/290	13.15/334	15.39/391	18.11/460	23.23/590
H1	7.68/195	9.45/240	10.63/270	12.60/320	16.73/425	19.49/495	22.44/570	27.56/700	33.07/840

SCREEN DATA (mm)

Size	2"/50	2.5"/65	3"/80	4"/100	5"/125	6"/150	8"/200	10"/250	12"/300
L1	113.5	135	150	181.5	257	297	327.5	407.5	393
ØD	57.5	70	82	103	117.2	164.5	214	269	316
ØHole	3.18	3.18	3.18	4.75	4.75	6	6	6	6
Pitch	5	5	5	6.9	6.9	8.5	8.5	8.5	8.5
Mesh (N/in ²)	30	30	30	17	17	10	10	10	10

NET WEIGHT (kg) & CRATE QTY (pcs)

Size	2"/50	2.5"/65	3"/80	4"/100	5"/125	6"/150	8"/200	10"/250	12"/300
N.W.	7.55	13.05	17.00	26.00	32.00	55.60	93.60	132.00	206.00
Crate Qty	90	50	40	32	16	12	6	2	2

FEATURES & SPECIFICATIONS

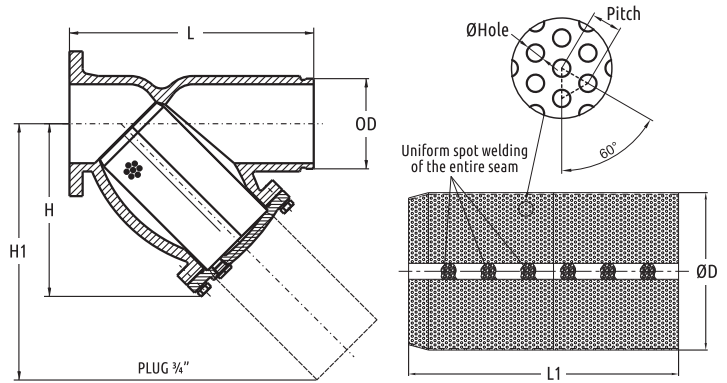
- Fusion bonded epoxy coated RAL3002
- Flange drilled to ANSI B16.1 Class 125 / ANSI B16.5 Class 150 / EN1092-2 PN16 / BS10 Table D / Table E / AWWA C606
- Grooved ends to suit ANSI or BS standard pipe
- Working pressure : 300psi
- Working temperature : -10°C ... 120°C



MATERIALS LIST

Name	Material
Body	Ductile Iron A536 65-45-12
Cover	Ductile Iron A536 65-45-12
Screen	Stainless Steel AISI 304
Gasket	EPDM
Plug	Carbon Steel

Size (in/mm)	Measured Loss at 15 fps (4.6m/s)
2"/50	7.22 psi
2.5"/65	5.89 psi
3"/80	8.24 psi
4"/100	5.88 psi
5"/125	7.63 psi
6"/150	4.82 psi
8"/200	5.83 psi
10"/250	7.25 psi
12"/300	5.73 psi



DIMENSIONS (inch/mm)

Size	2"/50	2.5"/65	3"/80	4"/100	5"/125	6"/150	8"/200	10"/250	12"/300
L	7.99/203	10.00/254	10.24/260	12.13/308	15.67/398	18.58/472	21.65/550	25.75/654	30.00/762
H	5.20/130	6.22/158	6.69/175	7.95/202	11.42/290	13.15/334	15.39/391	18.11/460	23.23/590
H1	7.68/195	9.45/240	10.63/270	12.60/320	16.73/425	19.49/495	22.44/570	27.56/700	33.07/840
OD	2.37/60.3	2.87/73.0	3/76.1	3.50/88.9	4.50/114.3	5.56/141.3	6.5/165.1	8.63/219.1	10.75/273

SCREEN DATA (mm)

Size	2"/50	2.5"/65	3"/80	4"/100	5"/125	6"/150	8"/200	10"/250	12"/300
L1	113.5	135	150	181.5	257	297	327.5	407.5	393
ØD	57.5	70	82	103	117.2	164.5	214	269	316
ØHole	3.18	3.18	3.18	4.75	4.75	6	6	6	6
Pitch	5	5	5	6.9	6.9	8.5	8.5	8.5	8.5
Mesh (N/in²)	30	30	30	17	17	10	10	10	10

NET WEIGHT (kg) & CRATE QTY (pcs)

Size	2"/50	2.5"/65	3"/80	4"/100	5"/125	6"/150	8"/200	10"/250	12"/300
N.W.	7.55	13.05	17.00	26.00	32.00	55.60	93.60	132.00	206.00
Crate Qty	90	50	40	32	16	12	6	2	2

HIGHRISE Y STRAINER GROOVED ENDS

300PSI

Fig No.: YS-300-GG



FEATURES & SPECIFICATIONS

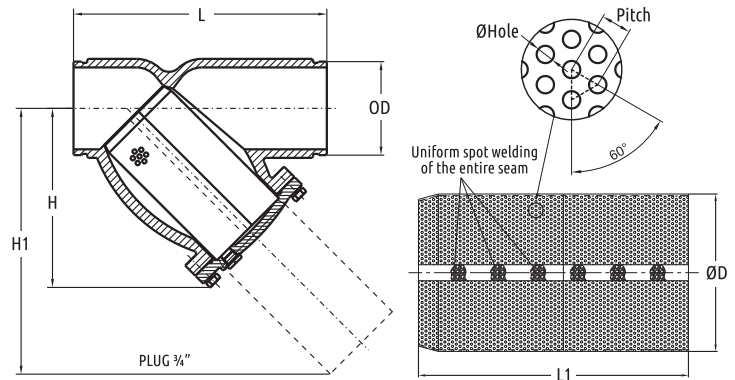
- Fusion bonded epoxy coated RAL3002
- Grooved ends to suit ANSI or BS standard pipe
- Working pressure : 300psi
- Working temperature : -10°C ... 120°C



MATERIALS LIST

Name	Material
Body	Ductile Iron A536 65-45-12
Cover	Ductile Iron A536 65-45-12
Screen	Stainless Steel AISI 304
Gasket	EPDM
Plug	Carbon Steel

Size (In/mm)	Measured Loss at 15 fps (4.6m/s)
2"/50	7.22 psi
2.5"/65	5.89 psi
3"/80	8.24 psi
4"/100	5.88 psi
5"/125	7.63 psi
6"/150	4.82 psi
8"/200	5.83 psi
10"/250	7.25 psi
12"/300	5.73 psi



DIMENSIONS (inch/mm)

Size	2"/50	2.5"/65	3"/80	4"/100	5"/125	6"/150	8"/200	10"/250	12"/300			
L	7.99/203	10.00/254	10.24/260	12.13/308	15.67/398	18.58/472	21.65/550	25.75/654	30.00/762			
H	5.20/130	6.22/158	6.69/175	7.95/202	11.42/290	13.15/334	15.39/391	18.11/460	23.23/590			
H1	7.68/195	9.45/240	10.63/270	12.60/320	16.73/425	19.49/495	22.44/570	27.56/700	33.07/840			
OD	2.37/60.3	2.87/73.0	3/76.1	3.50/88.9	4.50/114.3	5.56/141.3	5.5/139.7	6.63/168.3	6.5/165.1	8.63/219.1	10.75/273	12.75/323.9

SCREEN DATA (mm)

Size	2"/50	2.5"/65	3"/80	4"/100	5"/125	6"/150	8"/200	10"/250	12"/300
L1	113.5	135	150	181.5	257	297	327.5	407.5	393
ØD	57.5	70	82	103	117.2	164.5	214	269	316
ØHole	3.18	3.18	3.18	4.75	4.75	6	6	6	6
Pitch	5	5	5	6.9	6.9	8.5	8.5	8.5	8.5
Mesh (N/m ²)	30	30	30	17	17	10	10	10	10

NET WEIGHT (kg) & CRATE QTY (pcs)

Size	2"/50	2.5"/65	3"/80	4"/100	5"/125	6"/150	8"/200	10"/250	12"/300
N.W.	7.55	13.05	17.00	26.00	32.00	55.60	93.60	132.00	206.00
Crate Qty	90	50	40	32	16	12	6	2	2

FEATURES & SPECIFICATIONS

- Threaded ends : NPT or BSPT
- Working pressure : 200psi
- Working temperature : -10°C ... 120°C



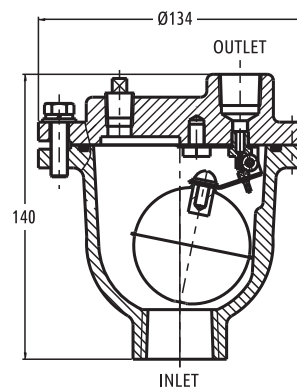
MATERIALS LIST

Name	Material
Body	Ductile Iron A536 65-45-12
Cover	Ductile Iron A536 65-45-12
Level	Stainless Steel AISI 304
Seat Ring	Stainless Steel
Float	Stainless Steel AISI 304
Float Arm	Stainless Steel AISI 304
Orifice Button	Viton



DIMENSIONS (inch/mm)

Size	Female Threaded
1/2"/15	1/2" BSPT or NPT
3/4"/20	3/4" BSPT or NPT
1"/25	1" BSPT or NPT



NET WEIGHT (kg) & CRATE QTY (pcs)

Size	Net Weight	Crate Qty
1/2" - 1"	2.9	300

FIRERISER DRY BARREL FIRE HYDRANT

250PSI

Fig No.: FV-DBH



FEATURES

- Design complies with AWWA C502 / FM1510 / UL246
- Multi height options for different bury depth
- Nozzle thread standard : NFPA1963
- Working pressure : 250psi
- Working temperature : -10°C ... 100°C

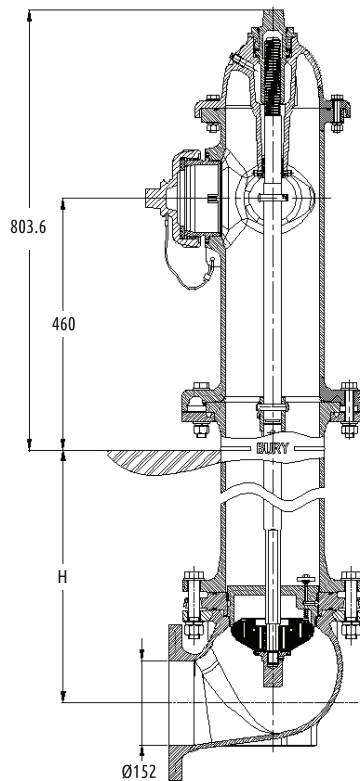
CONSTRUCTION

- Ductile iron barrel, nozzle, bonnet and base with stainless steel stem coupling
- Standard pumper (4"/4.5") and threaded hose nozzle (2.5")
- Internal and external polyester coating to RAL3002
- Mechanical joint designed to ANSI / AWWA C111 / A21.11 / AWWA C153 / A21.53
- Flanged to ANSI B16.1 Class125 / ANSI B16.5 Class150 / EN 1092-2 PN16



MATERIALS LIST

Name	Material
Operating Nut	Bronze ASTM B62
Dust Ring	EPDM
Lock Nut	Stainless Steel 304
Antifriction Mat	Aluminium Bronze/PTFE
Plug	Stainless Steel 304
Cover	Ductile Iron A536-65-45-12
Upper Hydrant Body	Ductile Iron A536-65-45-12
Top Shaft	Stainless Steel 420
Gland	Stainless Steel 304
Fire Engine Nozzle Cap	Ductile Iron A536-65-45-12
Fire Engine Nozzle Gasket	EPDM
Fire Engine Nozzle	Bronze ASTM B62
Steel Wire Rope	Stainless Steel 304 Plastic coated
O-Ring	EPDM
Coupling	Stainless Steel 420
Lower Hydrant Body	Ductile Iron A536-65-45-12
Safety Flange	Ductile Iron A536-65-45-12
Under Shaft	Stainless Steel 420
Drain Valve Cover	Ductile Iron A536-65-45-12
MJ Elbow Body	Ductile Iron A536-65-45-12
Hexagon Head Bolts	Stainless Steel 304
Flat Washer	Stainless Steel 304
Spring Washer	Stainless Steel 304
Hexagonal Nut	Stainless Steel 304
Drain Valve Cover Seal	EPDM
Pin	Stainless Steel 304
Cotter Pin	Stainless Steel 304
Upper Fire Hydrant Body Seal	EPDM
Hexagon Socket Head Screws	Stainless Steel 304
Hose Nozzle Cap	Ductile Iron A536-65-45-12
Hose Nozzle Gasket	EPDM
Hose Nozzle	Bronze ASTM B62
Hexagon Socket Set Screws	Stainless Steel 304
Drain Valve Cap	Bronze ASTM B62 + EPDM
Spring	Stainless Steel 304
Seat	Bronze ASTM B62
Tablet	Ductile Iron A536-65-45-12
Disc Sealing Ring	EPDM
Disc	Ductile Iron A536-65-45-12
Nut Press Ring	Ductile Iron A536-65-45-12 + EPDM



BURY DEPTH

	(mm)					
Feet	1'	2'	3'	3½'	4'	4½'
H	326	543	848	1001	1153	1306
Feet	5'	5½'	6'	6½'	7'	
H	1458	1611	1763	1916	2068	

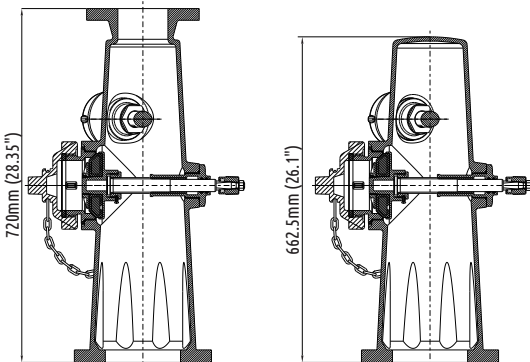
Note : The standard buried depth is 4' / 1153mm.

FEATURES

- Complies with AWWA C503
- Working pressure : 250psi
- Working temperature : -10°C ... 120°C

CONSTRUCTION

- One pumper nozzle 4.5-4NH threaded or 4-4NH threaded, two hose nozzles 2.5-7.5NH threaded
- The quantities for pumper nozzle and hose nozzles can be chosen
- Internal and external polyester coating to RAL3002
- Flange drilled to ANSI B16.1 Class 125 / EN1092-2 PN16
- Available in Monitor Flange Style



MATERIALS LIST

Name	Material
Hydrant Body	A536 65-45-12
Pumper Connection	
Chain	Carbon Steel + Zn
O-Ring	EPDM
Pumper Nozzle Cap	A536 65-45-12
Pumper Nozzle	C84400
Pumper Nozzle Gasket	EPDM
4.5" Gland	A351 CF8
Inner Six Angle Flat End Set Screw	A2
4.5" Disc Sealing Ring	EPDM
4.5" Disc	A351 CF8
Shaft	AISI 304/420
Fasten Nut	AISI 304
Inner Six Angle Cylindrical Head Screw	A2-70
4.5" Shaft Nut	C84400
O-Ring	EPDM
Operating Nut	A351 CF8
Hexagon Nut	A2-70
Hexagon Headed Bolt	AISI 304
Flat Washer	AISI 304
Hexagon Nut	AISI 304
Inner Six Angle Set Screw	Carbon Steel + Zn
Hose Connection	
O-Ring	EPDM
Hose Nozzle Cap	A536 65-45-12
Hose Nozzle	C84400
Hose Nozzle Gasket	EPDM
2.5" Gland	A351 CF8
2.5" Disc Sealing Ring	EPDM
2.5" Disc	A351 CF8
Shaft Stem Nut	C84400
Inner Six Angle Set Screw	Carbon Steel + Zn

MODEL OPTIONS

Model No.	Hose Nozzle	Pumper Nozzle	Monitor Flange	Lower Flange
FV-WBH-2H0P	2½" *2	--	--	6"
FV-WBH-2H0PM	2½" *2	--	4"	6"
FV-WBH-1H1P	2½" *1	4" or 4½" Pumper Connection *1	--	6"
FV-WBH-1H1PM	2½" *1	4" or 4½" Pumper Connection *1	4"	6"
FV-WBH-2H1P	2½" *2	4" or 4½" Pumper Connection *1	--	6"
FV-WBH-2H1PM	2½" *2	4" or 4½" Pumper Connection *1	4"	6"

Saving lives and properties



FEATURES & SPECIFICATIONS

- Straight body design
- K-factor 5.6
- Connection : 4" x 2½" x 2½" (DN100 x DN65 x DN65), NPT or BSPT
- 2½" pin lug swivels for ease of operation
- Designed in accordance with UL405
- Caps, chain and base plate available upon request
- Working pressure : 300psi

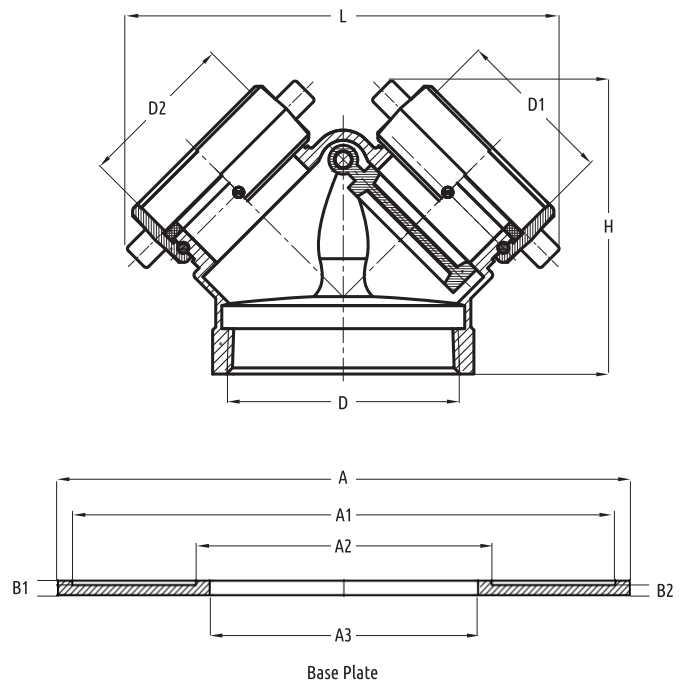


MATERIALS LIST

Name	Material
Body	Brass
Ball bearing	Stainless Steel 304
Coupling	Brass
Washer	EPDM
Screw	Brass
Henge pin	Brass
O-ring	EPDM
Clapper	Brass
Key-ring	Stainless Steel 304
Cap + Chain	Brass
Base plate	Brass

DIMENSIONS (mm)

Size	4" x 2½" x 2½"
H	143.6
L	211.34
D	100
D1	65
D2	65
A	Ø248.5
A1	Ø236
A2	Ø128.5
A3	Ø116.6
B1	6
B2	4.2



BRASS FIRE HOSE VALVE

300PSI

Fig No.: FBHV

FEATURES & SPECIFICATIONS

- Designed for fire hose rack assembly
- Inlet : Female NPT
- Outlet : Female NPT / Male hose thread
- Working pressure : 300psi

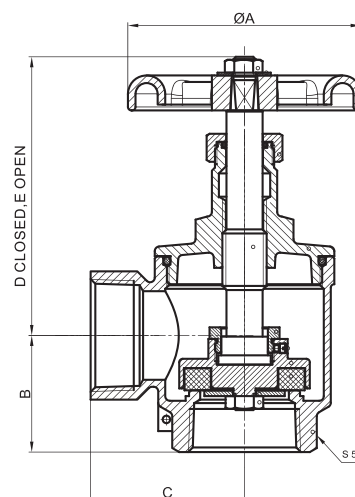


MATERIALS LIST

Name	Material
Body	Brass
Nut	Brass
Washer	Stainless Steel 304
Seat Seal	EPDM
Holder	Brass
Set Screw	Stainless Steel 304
Lock Nut	Brass
O-ring	EPDM
Bonnet	Brass
Stem	Brass
Lock nut	Brass
O-ring	EPDM
Handle wheel	Aluminum Alloy
Wheel washer	Stainless Steel 304
Wheel nut	Brass

DIMENSIONS (mm)

Size	1½" x 1½" / 40x40	2½" x 2½" / 65x65
A	100	127
B	50	68
C	63	79
D	119	157
E	145	200



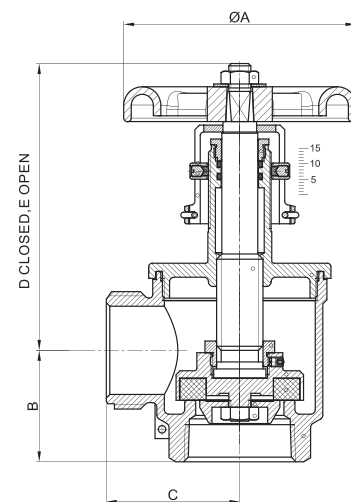
FEATURES & SPECIFICATIONS

- Pressure reducing device angle valve with locking device
- Rated adjustable restriction of resident pressure up to 175psi
- Pin may be removed manually to allow full opening of valve
- Inlet : Female NPT
- Outlet : Female NPT / Male hose thread
- Working pressure : 175psi



MATERIALS LIST

Name	Material
Body	Brass
Nut	Brass
Washer	Stainless Steel 304
Seat Seal	EPDM
Holder	Brass
Set screw	Stainless Steel 304
Lock nut	Brass
Bonnet	Brass
Stem	Brass
O-ring	EPDM
Lock nut	Brass
Handle wheel	Aluminum Alloy
Wheel washer	Stainless Steel 304
Wheel nut	Brass
Collar	Brass
Washer	Nylon 6
Set screw	Stainless Steel 304
Set numbers	Brass
Wire	Stainless Steel 304



DIMENSIONS (mm)

Model No.	FBPR	FBPRB
Size	1½" x 1½" / 40x40	2½" x 2½" / 65x65
A	100	127
B	48	67
C	58	77
D	123	165
E	145	206

BRASS BALL VALVE

Fig No.: FBBV

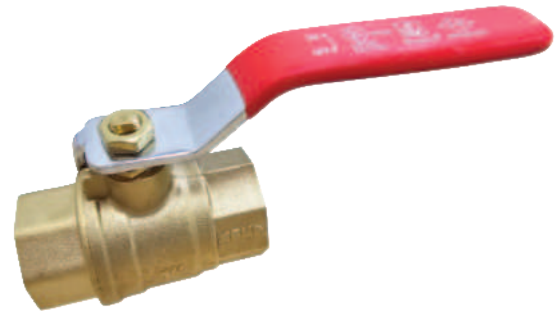
FEATURES & SPECIFICATIONS

- Threaded ends : NPT or BSPT
- Working pressure : 600psi for DN15 ... DN40
300psi for DN50



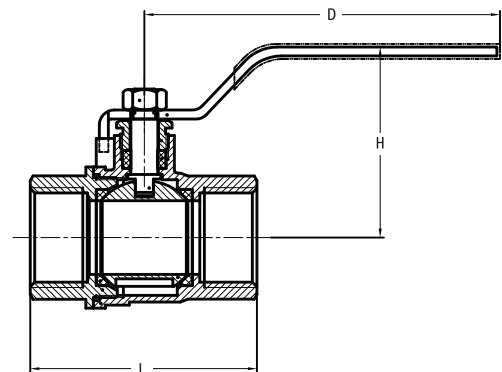
MATERIALS LIST

Name	Material
Body	Brass
Cover	Brass
Seal	PTFE
Ball	Chrome plated brass
Stem	Brass
Packing	PTFE
Gland	Brass
Lever	Carbon Steel
Lever Nut	Carbon Steel



DIMENSIONS (mm)

Size	1/2"/15	3/4"/20	1"/25	1 1/4"/32	1 1/2"/40	2"/50
L	57	63	75.5	86.5	94.2	108
H	52	61	63.5	71	94.5	102
D	90	105	118.5	146	193	193



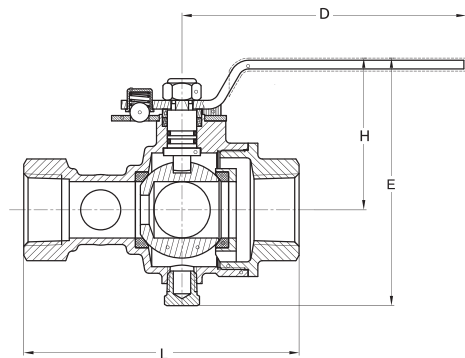
FEATURES & SPECIFICATIONS

- Positive 3 position handle for OFF, TEST or DRAIN
- Large and intergral sight glass on both sides
- ½" (nominal) test orifice K-factor 5.6
- Threaded ends : NPT or BSPT
- Working pressure : 300psi



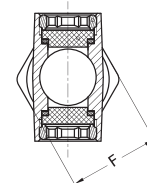
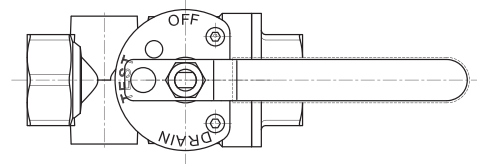
MATERIALS LIST

Name	Material
Body	Brass
Body cap	Brass
Seat	PTFE
Ball	Brass
Stem	Brass
O-ring	NBR
Lever	Steel
Nut	Steel
Gland Packing	PTFE
Gland	Brass
Cap	Brass
Spring	Stainless Steel 304
Steel ball	Stainless Steel 304
Indicator plate	Steel
Plug	Brass
Washer	NBR
Sight glass	Lexan
Retaining ring	Brass
Stop screw	Stainless Steel 304



DIMENSIONS (mm)

Size	1"/25	1¼"/32	1½"/40	2"/50
L	127	127	167	167
H	71.5	71.5	89	89
E	115.7	115.7	147	147
D	141	141	161	161
F	42	49	58	71



FIREFLY BRONZE OS&Y GATE VALVE THREADED ENDS

175PSI

Fig No.: BGV



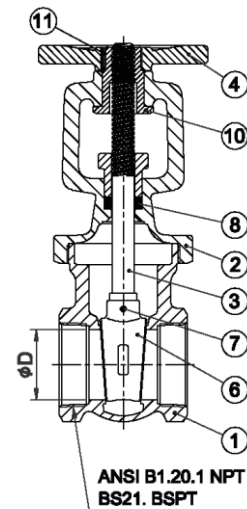
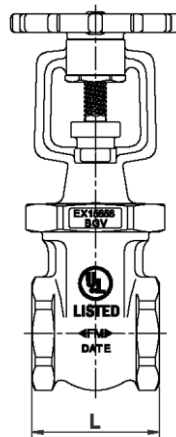
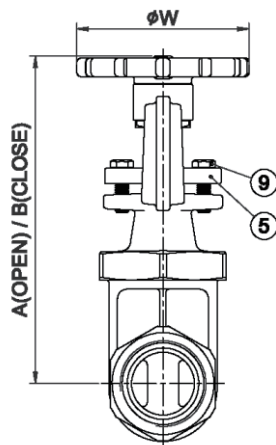
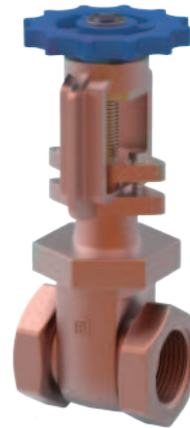
FEATURES & SPECIFICATIONS

- Threaded ends : NPT or BSPT
- Working pressure : 175psi



MATERIALS LIST

No.	Name	Material
1	Body	Bronze ASTM C83600
2	Bonnet	Bronze ASTM C83600
3	Stem	Brass
4	Handwheel	Cast Iron
5	Packing Gland	Bronze ASTM C83600
6	Disc	Bronze ASTM C83600
7	Disc Pin	SS304
8	Gland Packing	Graphite
9	Stud	Steel
10	Yoke Bushing	Brass
11	Set Screw	Steel



DIMENSIONS (mm)

Size	A±3	B±3	L±0.5	D	W±3
0.75"/20	173	145.5	59	20	80
1"/25	196.5	163	69	25	80
1.25"/32	220.5	181.5	75	32	80
1.5"/40	243	197	82	37.5	100
2"/50	282	227	90.5	50	120

NET WEIGHT (kg) & CRATE QTY (pcs)

Size	Net Weight	Crate Qty
0.75"/20	1.40	18
1"/25	1.80	16
1.25"/32	2.48	12
1.5"/40	3.24	8
2"/50	4.73	6

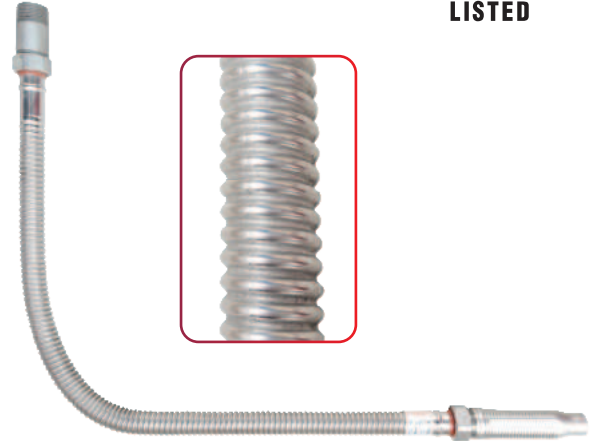
FEATURES & SPECIFICATIONS

- Unbraided hose with straight nipple
- Anchoring components are intended for use with drop ceilings conforming to ASTM C635 and other major roof ceiling grid systems
- Standard practice for installation on metal ceiling suspension
- Applicable for acoustical tiles and lay-in panels, ASTM C636 or other equivalent standards
- Designed for use in wet and dry systems



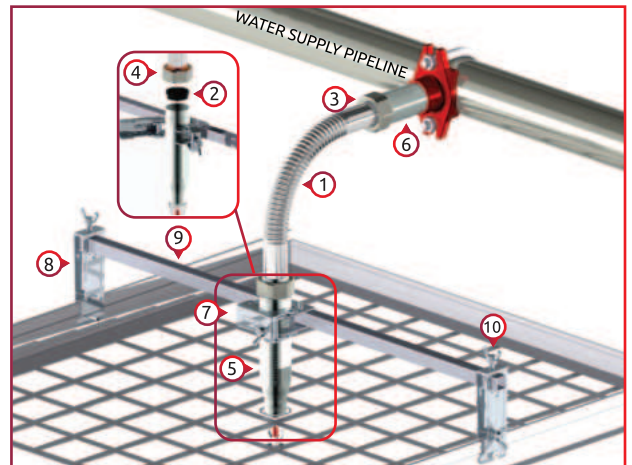
TECHNICAL DATA

- Working pressure : 200psi
- Burst pressure : 875psi
- Max. ambient temperature : 150°F / 66°C
- Connection : DN25 x DN15 (1" x 1/2") / DN25 x DN20 (1" x 3/4"), NPT or BSPT
- Hose Diameter : O.D. 26.8mm (1-1/16")
Flow diameter 22.5mm (7/8")



COMPONENTS & MATERIALS

No	Qty	Name	Material
1	1	Corrugated Hose	AISI 304 Stainless Steel
2	2	Sealing O-Ring	EPDM
3	2	Isolation Ring	Nylon 66
4	2	Slip Nut	Carbon Steel ASTM 1020#, Zinc-plated
5	1	Discharge Nipples	Carbon Steel ASTM 1020#, Zinc-plated
6	1	Inlet Nipples	Carbon Steel ASTM 1020#, Zinc-plated
7	1	Center Brackets	Carbon Steel ASTM A283M, Zinc-plated
8	2	Side Brackets	Carbon Steel ASTM A283M, Zinc-plated
9	1	Square Bar	Carbon Steel ASTM A283M, Zinc-plated
10	1 Set	Hexagon Screws (Options for wing screws)	Carbon Steel ASTM A283M, Zinc-plated



TECHNICAL DATA

Assembling Length (mm / inch)	Sprinkler Thread Size (mm / inch)	Max. allow. Sprinkler K-Factor (Metric / Impri.)	Max. no. of 90° bends (n x 90°)	Min. Bending Radius (mm / inch)	Equivalent Length of 1" / 33.7mm SCH40 Pipe (feet / meters)
700 / 28	15 / 1/2	80 / 5.6	2	100 / 3.9	27.0 / 8.2
	20 / 3/4	202 / 14.0			28.0 / 8.5
1000 / 40	15 / 1/2	80 / 5.6	3	100 / 3.9	37.0 / 11.3
	20 / 3/4	202 / 14.0			41.0 / 12.5
1200 / 48	15 / 1/2	80 / 5.6	3	100 / 3.9	49.0 / 14.9
	20 / 3/4	202 / 14.0			47.0 / 14.3
1500 / 60	15 / 1/2	80 / 5.6	3	100 / 3.9	63.0 / 19.2
	20 / 3/4	202 / 14.0			64.0 / 19.5
1800 / 72	15 / 1/2	80 / 5.6	4	100 / 3.9	78.0 / 23.8
	20 / 3/4	202 / 14.0			80.0 / 24.4

Results are tested & recorded by cULus under minimum bending radius in maximum bending degrees.

GROSS WEIGHT & CRATE QTY

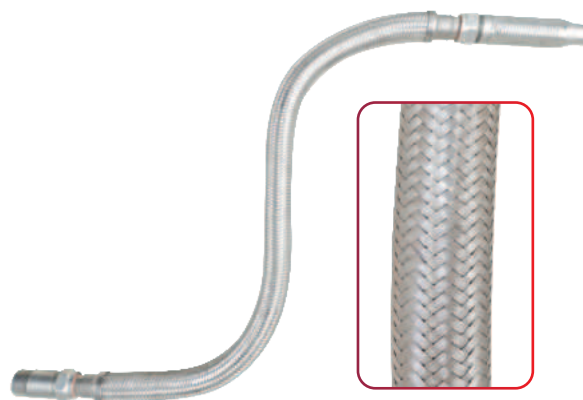
Hose Length (mm / inch)	Size (Carton / Pallet)			Hose Qty per (Carton / Pallet) (nos)	Gross Weight per (Carton / Pallet) (kg)
	L (mm)	W (mm)	H (mm)		
700 / 28	1050	205	195	20	27.2
	1050	1050	1125	500	700
1000 / 40	1300	205	195	20	28.9
	1300	1050	1125	500	745
1200 / 48	1500	205	195	20	30.2
	1500	1050	1125	500	780
1500 / 60	1800	205	195	20	32
	1800	1050	1125	500	830
1800 / 72	2100	205	195	20	34
	2100	1050	1125	500	885

FLEXIBLE SPRINKLER CONNECTOR

Fig No.: QF-1000 / QF-1000E

FEATURES & SPECIFICATIONS

- QF-1000 : Braided hose
- QF-1000E : Braided hose with elbow nipple (only FM approved)
- Anchoring components are intended for use with drop ceilings conforming to ASTM C635 and other major roof ceiling grid systems
- Standard practice for installation on metal ceiling suspension
- Applicable for acoustical tiles and lay-in panels, ASTM C636 or other equivalent standards
- Designed for use in wet and dry systems

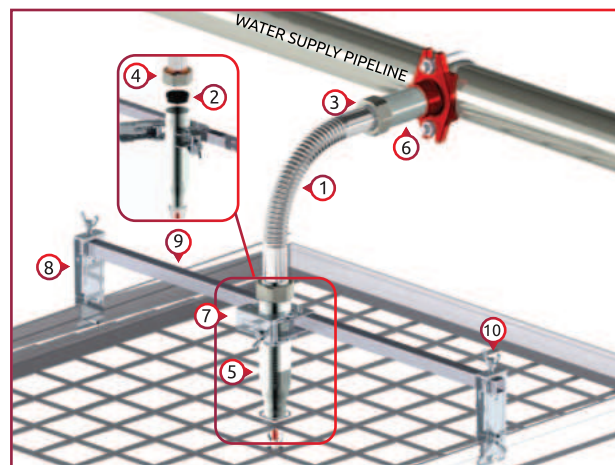


TECHNICAL DATA

- Working pressure : 200psi
- Burst pressure : 875psi
- Max. ambient temperature : 150°F / 66°C
- Connection : DN25 x DN15 (1" x 1/2") / DN25 x DN20 (1" x 3/4"), NPT or BSPT
- Hose Diameter : O.D. 26.8mm (1-1/16")
Flow diameter 21.0mm (13/16")

COMPONENTS & MATERIALS

No	Qty	Name	Material
1	1	Corrugated Hose	AISI 304 Stainless Steel
2	2	Sealing O-Ring	EPDM
3	2	Isolation Ring	Nylon 66
4	2	Slip Nut	Carbon Steel ASTM 1020#, Zinc-plated
5	1	Discharge Nipples	Carbon Steel ASTM 1020#, Zinc-plated
6	1	Inlet Nipples	Carbon Steel ASTM 1020#, Zinc-plated
7	1	Center Brackets	Carbon Steel ASTM A283M, Zinc-plated
8	2	Side Brackets	Carbon Steel ASTM A283M, Zinc-plated
9	1	Square Bar	Carbon Steel ASTM A283M, Zinc-plated
10	1 Set	Hexagon Screws (Options for wing screws)	Carbon Steel ASTM A283M, Zinc-plated

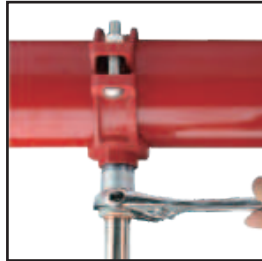
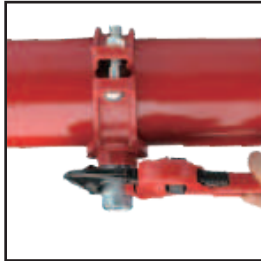


TECHNICAL DATA

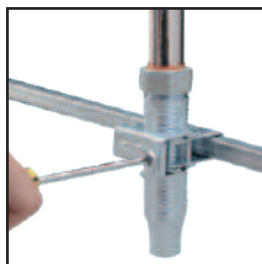
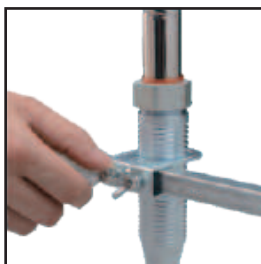
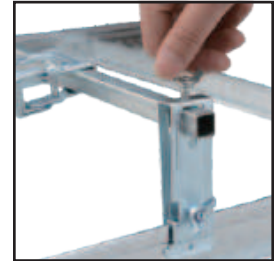
Assembling Length (mm / inch)	Sprinkler Thread Size (mm / inch)	FM Approval Data			QF-1000	QF-1000E	cULus Listing Data			
		Max. allow. Sprinkler K-Factor (Metric / Impri.)	Max. no. of 90° bends (n x 90°)	Min. Bending Radius (mm / inch)	Equivalent Length of 1" / 33.7mm SCH40 Pipe (feet / meters)	Equivalent Length of 1" / 33.7mm SCH40 Pipe (feet / meters)	Max. allow. Sprinkler K-Factor (Metric / Impri.)	Max. no. of 90° bends (n x 90°)	Min. Bending Radius (mm / inch)	Equivalent Length of 1" / 33.7mm SCH40 Pipe (feet / meters)
700 / 28	15 / 1/2	115 / 8.0	1	250 / 9.8	26.7 / 8.1	26.5 / 8.0	81 / 5.6	2	100 / 3.9	25.0 / 7.6
	20 / 3/4	202 / 14.0			21.5 / 6.5	16.8 / 5.1	115 / 8.0			21.0 / 6.4
1000 / 40	15 / 1/2	115 / 8.0	2	250 / 9.8	42.6 / 12.9	40.8 / 12.4	81 / 5.6	3	100 / 3.9	33.0 / 10.1
	20 / 3/4	202 / 14.0			39.6 / 12.0	34.2 / 10.5	115 / 8.0			36.0 / 11.0
1200 / 48	15 / 1/2	115 / 8.0	3	250 / 9.8	53.2 / 16.2	50.4 / 15.4	81 / 5.6	3	100 / 3.9	39.0 / 11.9
	20 / 3/4	202 / 14.0			51.6 / 15.7	45.8 / 13.9	115 / 8.0			43.0 / 13.1
1500 / 60	15 / 1/2	115 / 8.0	4	250 / 9.8	67.8 / 20.6	65.7 / 20.0	81 / 5.6	3	100 / 3.9	50.0 / 15.2
	20 / 3/4	202 / 14.0			63.5 / 19.3	58.7 / 17.9	115 / 8.0			52.0 / 15.8
1800 / 72	15 / 1/2	115 / 8.0	4	250 / 9.8	82.4 / 25.1	81.0 / 24.6	81 / 5.6	3	100 / 3.9	58.0 / 17.7
	20 / 3/4	202 / 14.0			75.4 / 22.9	71.5 / 21.7	115 / 8.0			63.0 / 19.2

Results are tested & recorded by cULus under minimum bending radius in maximum bending degrees. UL listing the maximum anchoring space between two side brackets is 610mm / 24 inches.

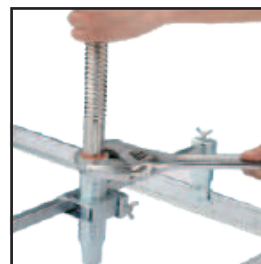
ASSEMBLY INSTRUCTIONS



A B



C D



A. Connect Inlet Nipple

Use pipe wrench to screw the inlet nipple into the branch outlet interface on water supply pipeline, use pipe sealant (Teflon tape or pipe glue etc.) to seal and apply tightening torque of approx. 50N-m/35ft-lbs. Then tighten the hexagon slip nut with 15N-m/10ft-lbs to ensure sealing performance.

C. Bending & Locating

Bend the flexible hose body as desired (According the parameters on specification sheet) and locate the discharge nipple into the center bracket. Tighten the bolts on center bracket with 4N-m/3ft-lbs after the proper location of springkler head has been found.

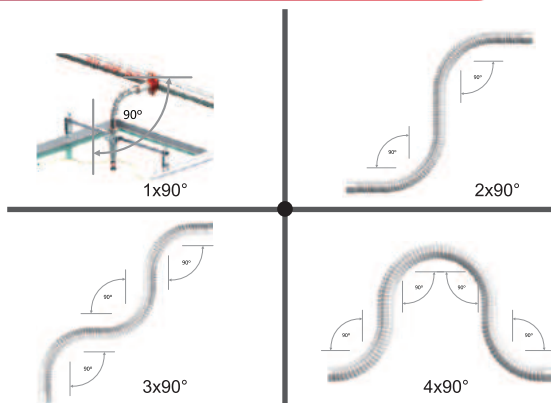
B. Fix bracket set

Attach side brackets to the main-rail of the T-bar grid and cross the square bar through 2 side brackets, with the center bracket in the middle. Tighten all fixing bolt on the side brackets with 4N-m/3ft-lbs.

D. Connect Discharge Nipple

Tighten the slip nuts with 15N-m/10ft-lbs and install sprinkler head to discharge nipple by following the sprinkler manufacture's installation instructions. Finally test leak in according with NFPA guidelines.

HOSE BENDING, CORRECT OR WRONG?



Actual bending radius

EQUAL to	GREATER than	SMALLER than
Required minimum bending radius	Required minimum bending radius	Required minimum bending radius
✓	✓	✗

Use Fivalco® bend snap-gauge for bending gradius inspection

VANE TYPE WATER FLOW DETECTOR WITH RETARD

Fig No.: WFD-V

DESCRIPTION

The WFD-V is a vane type water flow detector for use on fire protection and wet sprinkler system. It is suitable for use with Schedule 10 through 40 steel pipe of 2" to 8", and can be installed in vertical or horizontal pipe. The detectors shall have a sensitivity in the range of 4 to 10 gallons per minute, and a service pressure up to 450psi. WFD-V will respond to water flow in the specified direction after preset time delay that is adjustable on site.



FEATURES AND SPECIFICATIONS

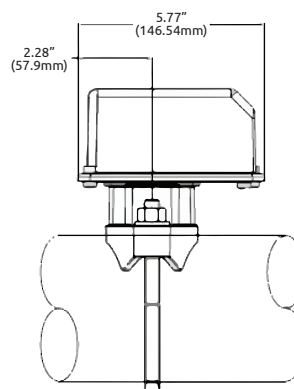
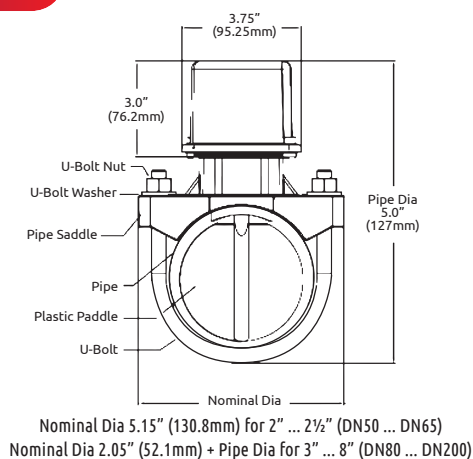
- Conforms to FM1042-2016 & UL346
- Two conduit opening of 1/2". One open; one knock-out type
- Sensitivity Range : 4 ... 10 usgpm
- Contact Rating : Two sets of SPDT (Form C) 10Amps (125/250 VAC) / 2Amps (24 VDC)
- Enclosure Rating : NEMA 4- suitable for indoor / outdoor
- Compatible Pipe : Steel pipe, Schedule 10 through 40
- Special tamper screws to prevent disassembly
- Maximum Surge : 5.5m/s
- Time delay adjustment via rotating dial
- Two sets Micro-switch, 100% synchronization
- Working pressure : Max. 31bar / 450psi
- Working temperature : 4.5°C ... 49°C
- Available in aluminium or ABS casing



ORDERING MODEL AND SIZE

MODEL	DESCRIPTION	PIPE SIZE	PIPE DIAMETER	HOLE SIZE
WFD-V-050	Vane Type Water Flow Detector	50mm (2")	60.33mm (2.375")	31.8mm (1 1/4")
WFD-V-065	Vane Type Water Flow Detector	65mm (2.5")	73.03mm (2.875")	31.8mm (1 1/4")
WFD-V-080	Vane Type Water Flow Detector	80mm (3")	88.90mm (3.500")	50.8mm (2")
WFD-V-100	Vane Type Water Flow Detector	100mm (4")	114.30mm (4.500")	50.8mm (2")
WFD-V-150	Vane Type Water Flow Detector	150mm (6")	168.28mm (6.625")	50.8mm (2")
WFD-V-200	Vane Type Water Flow Detector	200mm (8")	219.08mm (8.625")	50.8mm (2")

DIMENSION



INSTALLATION GUIDE

The WFD-V water flow detector may be mounted on a horizontal or vertical pipe. On horizontal pipe, it should be installed on the top side of the pipe where they will be accessible. The detector should not be installed within 6" (150mm) of a fitting which changes the direction of the waterflow or within 24" (600mm) of a valve or drain.

Drain the system and drill a hole on the pipe. The 2" (50mm) and 2½" (65mm) detectors require a hole with a diameter of 1¼" +/- 0.08" (31.8mm +/- 2mm). All other sizes require a hole with a diameter of 2" +/- 0.08" (50.8mm +/- 2mm).

Clean the inside pipe of all growth or other material for a distance equal to the pipe diameter on either side of the hole.

Roll the vane so that it may be inserted into the hole; do not bend or crease it. Insert the vane with the arrow on the saddle points in the direction of the waterflow.

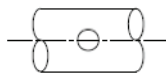
Do not leave cover off for an extended period of time.

Retard Adjustment : The delay can be adjusted by rotating the retard adjustment knob from 0~Max position (0~90 secs). Factory setting is position 2 (Delay time is approximate 30 seconds). The time delay should be set at the minimum required to prevent false alarms.

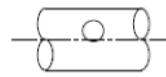
CAUTION

Hole must be drilled perpendicular to the pipe and vertically centered.

CORRECT

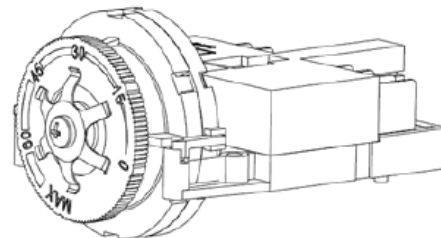
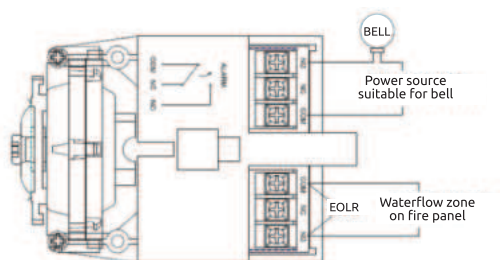


INCORRECT



ELECTRICAL CONNECTIONS AND TIME DELAY ADJUSTMENT

The WFD-V water flow detector have two switches, one can be used to operate a central station, proprietary or remote signaling unit, while the other contact is used to operate a local device or visual annunciator.



Note : Retard Structure can be set from "0" to "MAX" position, delay time can be set from 0-90 secs.

T-TAP TYPE WATER FLOW DETECTOR WITH RETARD

Fig No.: WFD-T

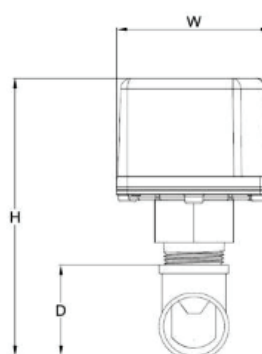
DESCRIPTION

The WFD-T is a T-tap type water flow detector for use on fire protection system, installed on a tee that has 1" to 2" NPT/BSPT socket connection. It is suitable for use with Schedule 10 through 40 steel pipe of 1" to 2", and can be installed in vertical or horizontal pipe. The detectors shall have a sensitivity in the range of 4 to 10 gallons per minute, and a service pressure up to 450psi. WFD-T will respond to water flow in the specified direction after preset time delay that is adjustable on site.



FEATURES AND SPECIFICATIONS

- Conforms to FM1042-2016 & UL346
- Two conduit opening of 1/2". One open; one knock-out type
- Sensitivity Range : 4 ... 10 usgpm
- Contact Rating : Two sets of SPDT (Form C) 10Amps (125 / 250 VAC) / 2Amps (24 VDC)
- Enclosure Rating : NEMA 4- suitable for indoor / outdoor
- Compatible Pipe : Steel pipe, Schedule 10 through 40
- Special tamper screws to prevent disassembly
- Maximum Surge : 5.5m/s
- Time delay adjustment via rotating dial
- Two sets Micro-switch, 100% synchronization
- Working pressure : Max. 31bar / 450psi
- Working temperature : 4.5°C ... 49°C
- Available in aluminium or ABS casing

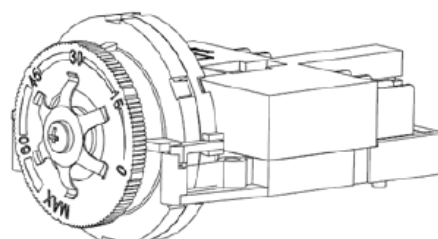
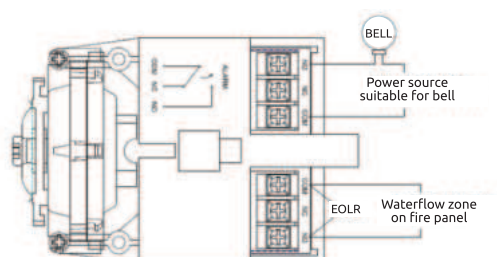


ORDERING MODEL AND DIMENSIONS

MODEL	DESCRIPTION	PIPE SIZE	W	H	D
WFD-T-025	T-Tap Type Water Flow Detector	25mm (1")	95.25	168.65	54
WFD-T-032	T-Tap Type Water Flow Detector	32mm (1¼")	95.25	177.3	62.5
WFD-T-040	T-Tap Type Water Flow Detector	40mm (1½")	95.25	183.65	69
WFD-T-050	T-Tap Type Water Flow Detector	50mm (2")	95.25	196.85	82

ELECTRICAL CONNECTIONS AND TIME DELAY ADJUSTMENT

The WFD-T water flow detector have two switches, one can be used to operate a central station, proprietary or remote signaling unit, while the other contact is used to operate a local device or visual annunciator.



Note : Retard Structure can be set from "0" to "MAX" position, delay time can be set from 0-90 secs.

DESCRIPTION

The SPCV-1 supervisory switch is used to monitor the open position of fire sprinkler control valves of the wall and yard post indicator valve. SPCV-1 supervisory switches shall be mounted so as not to interfere with the normal operation of the valve and shall be adjusted to operate with two revolutions of the valve control or when the stem has moved no more than one-fifth of the distance from its normal position. The SPCV-1 supervisory switch shall provide a side entrance for 1/2" conduit and incorporate a 1/2" NPT nipple for attachment to the valve body.

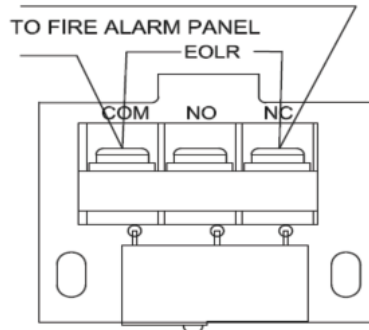


FEATURES AND SPECIFICATIONS

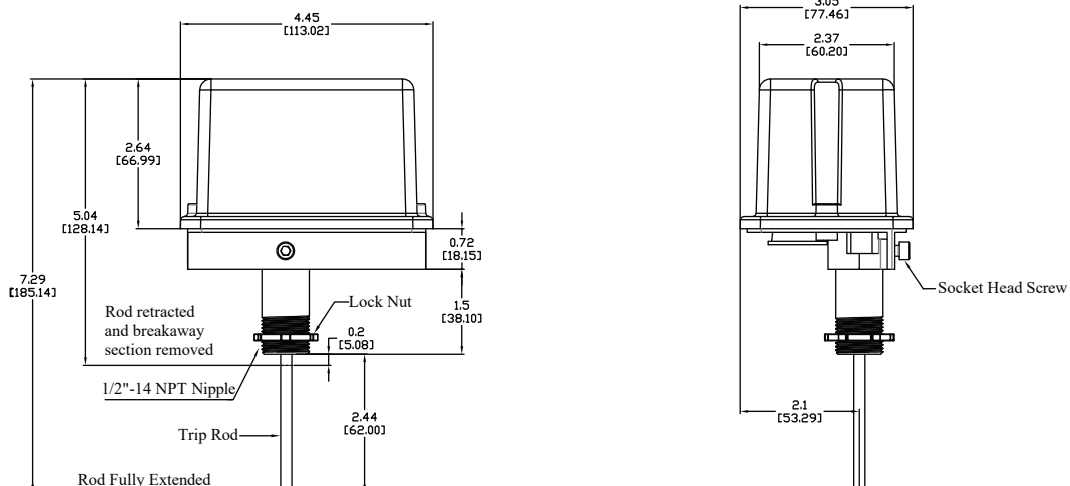
- Conforms to UL346 an
- Fine adjustment feature for fast & easy installation
- One SPDT contact model (Form C)
- Contact Rating : 10.1Amps (125/250 VAC) / 2Amps (24 VDC)
- Enclosure Rating : NEMA 4- suitable for indoor / outdoor
- Conduit opening of 1/2"
- Special tamper screws to prevent disassembly
- Working Temperature : 0°C ... 60°C
- Available in aluminium or ABS casing



ELECTRICAL CONNECTIONS



DIMENSIONS



NON RISING STEM VALVE SUPERVISORY SWITCH

Fig No.: SNRS-1

DESCRIPTION

The SNRS-1 supervisory switch is a special-purpose device designed for applications where conventional supervisory methods are not suitable or practical, such as with non-rising stem gate valves. When installed on a non-rising stem gate valve, turning the valve's handwheel pulls the plug out of the switch, which activates the normally open contacts to indicate the valve position. For security and safety, the plug cannot be reinserted after activation unless the plug-reset cover is removed using the special hex key provided.

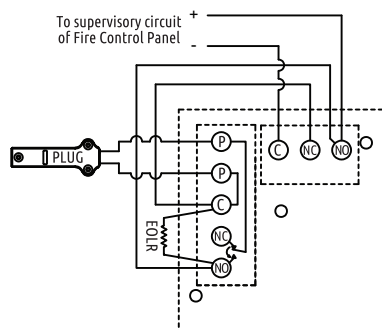


FEATURES AND SPECIFICATIONS

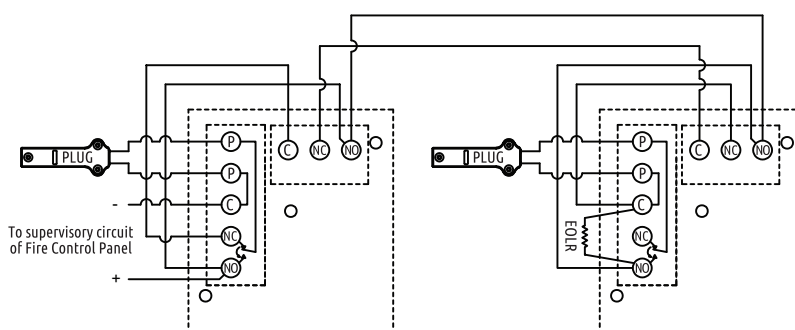
- Fine adjustment feature for fast & easy installation
- One set SPDT plug-in contact / One SPDT cover tamper contact
- Contact Rating : 100mA at 24VDC/AC / 250mA at 12VDC/AC
- Enclosure Rating : NEMA 4- suitable for indoor / outdoor
- Conduit opening of ½"
- Special tamper screws to prevent disassembly
- Working Temperature : -40°C ... 60°C
- PC plastic casing

ELECTRICAL CONNECTIONS

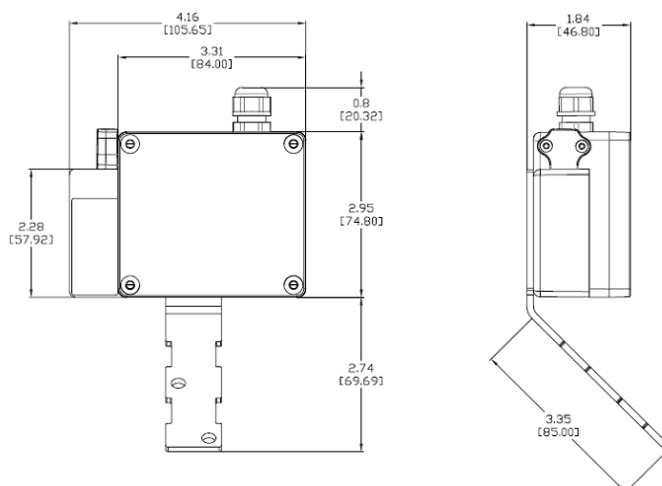
For Single Device



For Multiple Devices



DIMENSIONS



DESCRIPTION

The SOSY-1 supervisory switch is installed on the Outside Screw & Yoke (OS&Y) Gate Valve and is used to monitor the open position of the valve. SOSY-1 contains one set of SPDT (Form C) contacts. These switches mount conveniently to OS&Y Gate Valves ranging from 2" to 12" diameter.

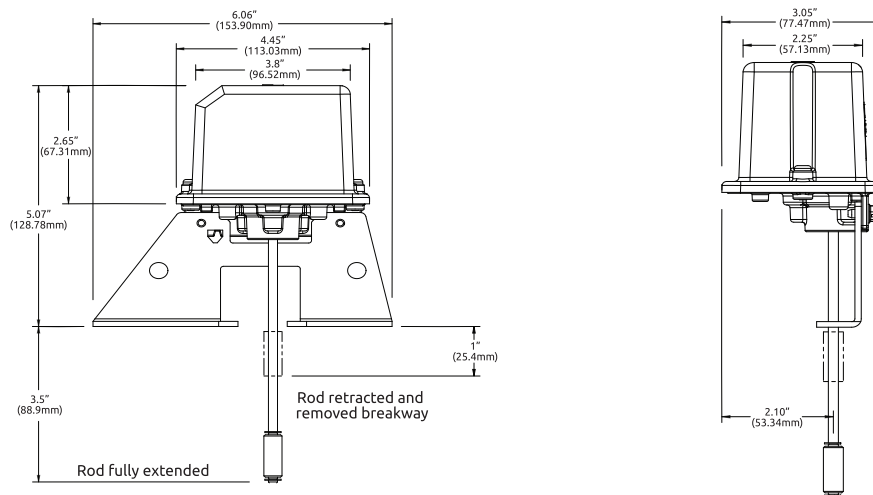


FEATURES AND SPECIFICATIONS

- Fine adjustment feature for fast & easy installation
- One SPDT contact model
- Contact Rating : 10Amps (125/250 VAC) / 2Amps (24 VDC)
- Enclosure Rating : NEMA 4- suitable for indoor / outdoor
- Conduit opening of 1/2"
- Special tamper screws to prevent disassembly
- Working Temperature : 0°C ... 60°C
- Adjustable length trip rod
- 3 position switch monitors vandal and valve closed signals
- Available in aluminium or ABS casing
- Service use on NFPA-13, NFPA-13D, NFPA-13R & NFPA-72



DIMENSIONS



OUTSIDE SCREW & YOKE VALVE SUPERVISORY SWITCH

Fig No.: SOSY-1

OPERATION METHOD

The SOSY-1 supervisory switch is a 3 position switch. The center position is the normal installation position. Normal is when the switch is installed on the OS&Y valve, the valve is fully open and the trip rod of the supervisory switch is in the groove of the valve stem. Closing the valve causes the trip rod to ride up out of the groove and activates the switches. Removing the supervisory switch from the valve causes the spring to pull the trip rod in the other direction and activates the switches.

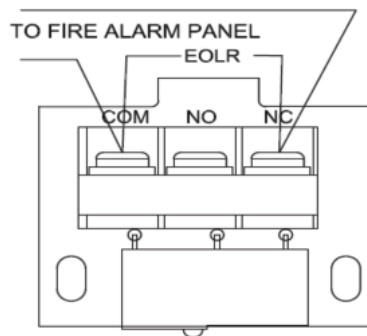
INSTALLATION GUIDE

The SOSY-1 supervisory switch can be mounted on outside screw & yoke (OS&Y) gate valves between ½" and 12" in diameter. Do not install the supervisory switch with its actuating lever pointing upward as the water may leak into the switch.

For narrow yoke valves, installing the valve with mounting bolts inside the yoke is recommended. However, some valves may have yokes that are too narrow for this positioning. If this is the case, position the bolts on the outside of the yoke.

The supervisory switch is equipped with a ground screw inside the switch housing near the conduit for applications where grounding is required.

ELECTRICAL CONNECTIONS



TESTING

The operation of the SOSY-1 supervisory switch and its associated protective monitoring system shall be tested, and maintained in accordance with all applicable local and national codes and standards and / or department of local authority. A minimum test shall consist of turning the valve wheel towards the closed position. The supervisory switch shall operate within the first two revolutions of the wheel. Fully close the valve and ensure that the supervisory switch does not restore. Fully open the valve and ensure that the supervisory switch restores to normal only when the valve is fully opened.

Fully close the gate valve to ensure that the stem threads do not activate the switch. The switch being activated by the stem threads could result in a false valve open indication.



FIVALCO WARRANTY STATEMENT

Fivalco's products are designed, engineered and manufactured within its specification of intended use, under the highest quality control possible. Commitment on quality and performance is always at the top of our agenda.

Fivalco warrants that for a period of thirty six (36) months following delivery, the Fivalco products will perform in accordance with published specifications, and will be free from defects in material or workmanship provided that the products are stored and installed in accordance with recommendations in our catalogues.

Fivalco's obligation shall be to replace any product found to be defective in design, material or workmanship during the warranty period. Fivalco shall not be obligated to refund the purchase price and other liabilities on monetary compensation, nor shall it be obligated to pay for any labor or costs associated with the removal of the defective products or the reinstallation of those products. No warranty coverage will be provided for products that have been altered and / or used for a purpose other than that for which they were designed or installed contrary to Fivalco's guidelines.

A series of horizontal dashed lines for writing notes.



FV-FPP-EN-20260108
Fivalco® is Registered Trademark